



LED PHOCARRY PORTABLE WORKLIGHT

Phocarry LED Portable Worklight



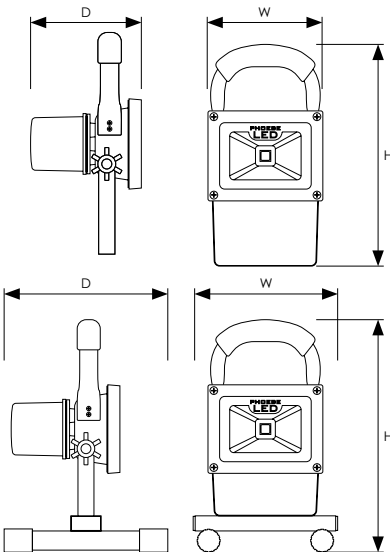
Battery operated IP65 portable worklight. Rechargeable with car charger or mains chargers (supplied). Can be used direct from mains.

- Sturdy aluminium & iron construction
- Includes 12V in-car & 240V mains chargers
- Super bright 80lm/W LED COB
- 5 hour charge time
- 3-4 hours operation from a single charge Up to 8 hours with Catyilight low setting
- 40,000 hour life
- 20,000 switching cycles
- IP65 rated - Suitable for outdoor use

Carrylight additional features

- Includes soft carry case
- High/low beam settings (800lm/400lm)
- up to 8 hours operation from a single charge (low beam setting)

Product Code	Watts (W)	Volts (V)	Colour Appearance	Colour Temp (K)	Total Lumens (lm)	Beam Angle	Dimensions (mm)			Order Qty
							W	H	D	
LED Portable Carrylight - Single Carton										
5594	10	12	Daylight	6000	800	110°	140	220	115	1
LED Portable Worklight - Single Carton										
5600	10	12	Daylight	6000	800	110°	145	240	160	1
5617	20	12	Daylight	6000	1600	110°	215	285	185	1
LED Portable Worklight Accessories - Single Blister Pack										
5709	Magnetic Feet pack for Phoebe LED 10W/20W Work Lights									1



This luminaire contains built-in LED lamps.

The lamps cannot be changed in the luminaire.

CROMPTON LAMPS

LED

874/2012

IP65
IP Rating

5 YEAR
LIMITED WARRANTY

Lighting brilliance since 1878

Phoebe LED™ is a trading name of Crompton Lamps Limited
 Crompton Lamps Limited registered in England and Wales No. 05590551
 Registered office and correspondence address: Unit 2, Martree Business Park, Bowling Back Lane, Bradford BD4 8QE
Tel: +44 (0)1274 657 088 **Fax:** +44 (0)1274 657 087 **Email:** sales@cromptonlamps.com **Web:** www.cromptonlamps.com

All images and specifications are for illustration purposes only and are subject to change without notice.
 E. & O. E. © Crompton Lamps Limited 2019