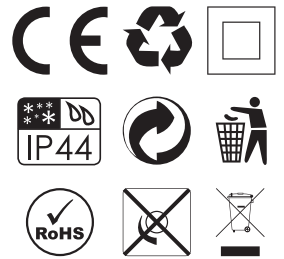




LED **CELINE**
COMMERCIAL
DOWNLIGHT

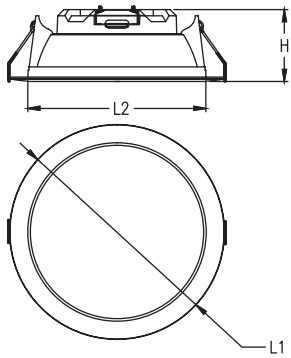


This instruction sheet is relevant to Phoebe LED Celine Commercial Downlight part codes: 6317, 6324 & 6331

THANK YOU for buying this PHOEBE LED product. To help ensure this luminaire gives complete satisfaction please only use it according to the following instructions, and then pass the instructions to the appropriate person for retention and future reference.

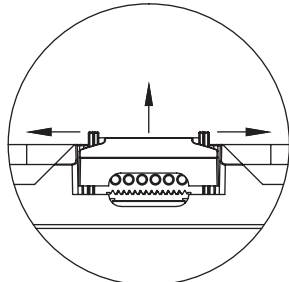
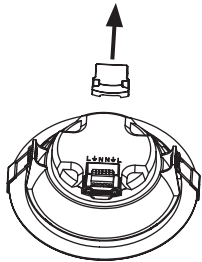
Warning

1. Installation only to be carried out by a qualified electricians
2. Please ensure surface is suitable and capable of holding the lamp weight
3. Pre-cut hole before installation, (see below chart for hole diameter)
4. Do not operate if product is damaged
5. Suitable for use in bathrooms - Zone 1 and Zone 2 only
6. This product is not suitable for fire rated installations

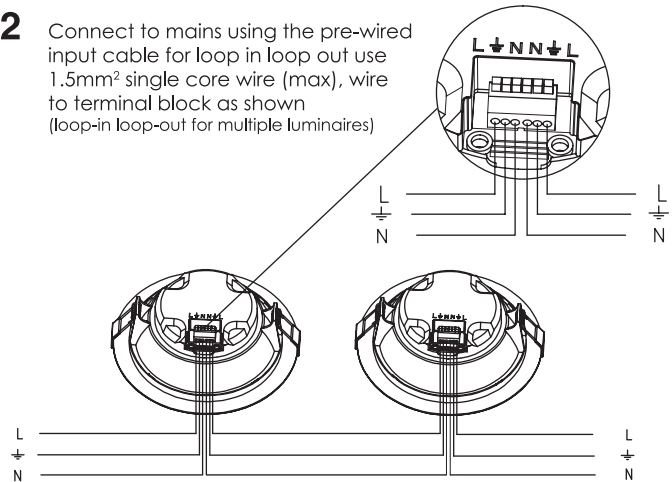


Product code	Power (W)	Colour Temp (K)	Dimensions (mm)				Weight (g)
			L1	L2	H	Ø	
6317	15	4000	Ø180	Ø149	60	Ø160	295
6324	20	4000	Ø232	Ø193	60	Ø210	430
6331	30	4000	Ø232	Ø193	60	Ø210	445

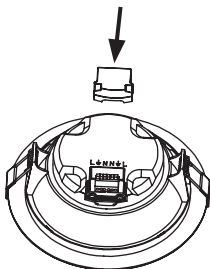
- 1**
- a. Switch off power
 - b. Push apart locking pins to remove terminal block cover



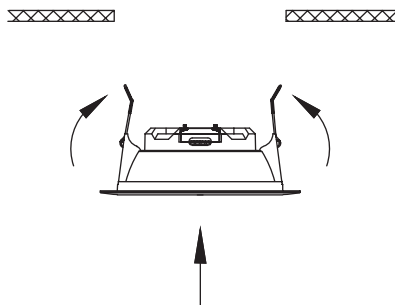
- 2**
- Connect to mains using the pre-wired input cable for loop in loop out use 1.5mm² single core wire (max), wire to terminal block as shown (loop-in loop-out for multiple luminaires)



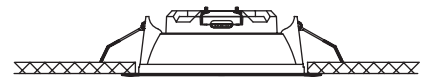
- 3**
- Replace terminal block cover and push down to trap wires securely in place



- 4**
- Push back spring clips and insert into recess



- 5 a.** Ensure luminaire is a flush fit and has plenty of ventilation, do not cover with insulating material



- b.** Switch power on at circuit



NB. For high voltage circuit insulation testing disconnect mains input supply first

(Do not circuit test using a Megger)

Images are for information only. Phoebe LED shall not be held liable for improper operation of the luminaire in circumstances where procedures and specifications have not been followed correctly. Crompton Lamps Limited 2016