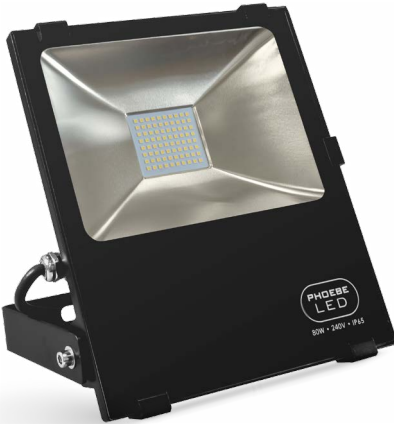


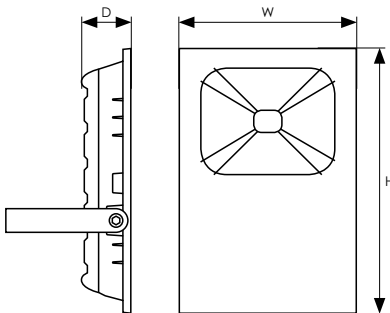
Atlas LED Commercial Floodlight



Mains operated IP65 Commercial LED Floodlights, ideal for illuminating large areas such as company car parks, industrial grounds or up-lighting buildings.

- 50,000 hour life
- 25,000 switching cycles
- High output 110lm/W
- 5000K colour temperature
- Colour rendering index Ra≥80
- Die-cast aluminium with breathing hole to prevent misting
- Tempered glass
- High quality MEAN WELL IP65 rated driver
- Heat resistant 10mm rubber gland and 1.5 metre heat resistant TRS cable
- IP65 rated - Suitable for outdoor use

Product Code	Watts (W)	Volts (V)	Colour Temp (K)	Total Lumens (lm)	Beam Angle	Dimensions (mm)			Order Qty
						W	H	D	
Single Carton									
11001	80	240	5000	8800	120°	250	285	70	1
11004	150	240	5000	16500	120°	380	500	115	1
11005	200	240	5000	22000	120°	380	500	115	1



This luminaire contains built-in LED lamps.

The lamps cannot be changed in the luminaire.

CROMPTON LAMPS

LED

874/2012



Lighting brilliance since 1878



Phoebe LED™ is a trading name of Crompton Lamps Limited
 Crompton Lamps Limited registered in England and Wales No. 05590551
 Registered office and correspondence address: Unit 2, Marttree Business Park, Bowling Back Lane, Bradford BD4 8QE

Tel: +44 (0)1274 657 088 **Fax:** +44 (0)1274 657 087 **Email:** sales@phoebeled.com **Web:** www.phoebeled.com

All images and specifications are for illustration purposes only and are subject to change without notice.
 E. & O. E. © Crompton Lamps Limited 2018