

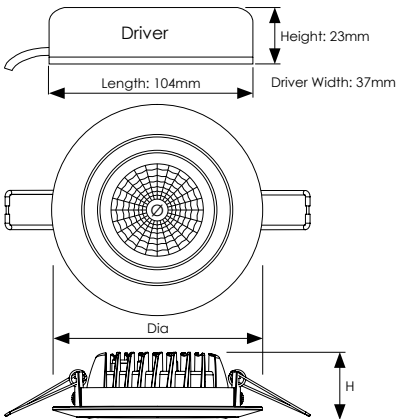
IRIS Sunset Dim LED Adjustable Downlight



Mains operated energy efficient adjustable LED downlight, featuring sunset dim technology, dims from 3000K Warm White at full output to 1900K Extra Warm White at 10% light output.

- ±30° adjustable LED downlight
- Features Sunset Dim technology; as the luminaire is dimmed the colour temperature becomes warmer to recreate the cosy feeling of a traditional lamp
- Long life 30,000 hours
- IP44 rated, suitable for use in bathroom zones 1-2
- Constructed from die-cast aluminium
- Instant full light
- Recommended for indoor use only
- DuoDim™ Dimmable Technology compatible with both leading and trailing edge dimmers, see website for details

Product Code	Watts (W)	Volts (V)	Colour Appearance and Temperature (K)	Beam Angle	Useful/Total Lumens (lm)	Dimensions (mm)			Order Qty	
						Dia	H	Cutout ø		
Single Carton										
9981	11.5	240	3000K Warm White to 1900K Extra Warm White	38°	600/660	100	32	83	1	



This luminaire contains built-in LED lamps.

The lamps cannot be changed in the luminaire.

CROMPTON LAMPS 874/2012

IP44
IP Rating

Suitable for Bathroom use Zones 1-2

5 YEAR
LIMITED WARRANTY

Lighting brilliance since 1878

Phoebe LED™ is a trading name of Crompton Lamps Limited
 Crompton Lamps Limited registered in England and Wales No. 05590551
 Registered office and correspondence address: Unit 2, Marrtree Business Park, Bowling Back Lane, Bradford BD4 8QE
Tel: +44 (0)1274 657 088 **Fax:** +44 (0)1274 657 087 **Email:** sales@cromptonlamps.com **Web:** www.cromptonlamps.com

All images and specifications are for illustration purposes only and are subject to change without notice.
 E. & O. E. © Crompton Lamps Limited 2019

IRIS Sunset Dim LED Adjustable Downlight



The below table is designed to help you choose a suitable dimmer switch for your Phoebe LED dimmable product.

Crompton Lamps have extensively tested the below dimmer switches to evaluate their dimming function and to make sure the dimmer switch meets our dimming compatibility standards.

All compatible dimmer switches may require low end trimming.

For guidelines on dimmer switches not listed below, or for more information please contact Crompton Lamps.

Manufacturer	Dimmer Model	Dimmer Wattage	Dimmer Type	Lamps Tested Per Circuit	Notes
Aurora	AU-DSP400X	60W-400W	LED	1-6	Dims to 100%,
Aurora	AU-DSP401	60W-400W	Leading	1-6	Dims to 100%,
Aurora	AU-DSP651	75W-650W	Leading	1-6	Dims to 100%,
Bell	250VA	250W Max	LED	1-6	Dims 35% to 100% steps
British General	881P	60W-400W	Leading	1-6	Dims 20% to 100% smooth
Click	MD9042	60W-400W	LED	1-6	Dims 5% to 100%
Denmans	CORE3010	60W-400W	Leading	1-6	Dims to 100%
Denmans	CORE3011	60W-250W	Leading	1-6	Dims to 100%
Eaton	P9131	60W-250W	Leading	1-6	Dims 15% to 100%
Eaton	P9142	60W-400W	Leading	1-6	Dims 15% to 100%
EuroLite	ECPC1LED250 PCB	120W Max	LED	1-6	Dims 10% to 100% smooth
Hamilton	741XLEDITB100	5W-100W	LED	1-6	Dims 5% to 100%
Hamilton	LifeStat ID4002	40W-400W	Leading	1-6	Dims 35% to 100% steps
Hamilton	LEDITB100	100W Max	LED	1-6	Dims 5% to 100%
Hamilton	GRID100LED	100W Max	LED	1-6	Dims to 100% smooth
Holder	17081-400-2W	60-400W	Leading	1-6	Dims 20% to 100% smooth
Leviton	LEV1906MOD	100W Max	LED	1-6	Dims to 100%
MK	K1501WHILV	500W Max	LED	1-6	Dims 20% to 100% smooth
MK	K1521WHILV	40W-300W	Leading	1-6	Dims 15% to 100% smooth
MK	K1524WHILV	40W-300W	Leading	1-6	Dims 15% to 100% smooth
MK	K4511xxLV	40W-220W	Leading	1-6	Dims 15% to 100% smooth
PowerPro	PPDM1G1W250	60W-250W	Leading	1-6	Dims to 100% smooth
PowerPro	PPDM1G1W400	60W-400W	Leading	1-6	Dims 10% to 100% steps
Schneider Electric	GGBL6012LS	5W-100W	LED	1-6	Dims 20% to 100% smooth
Varilight	V-Pro JQP401W	10W-400W	Trailing	1-6	Dims 5% to 100%
Varilight	V-DIM HQ2W	40-250W	Leading	1-6	Dims 40% to 100% smooth
ViMark	V1253	60W-400W	Universal	1-6	Dims to 100% smooth
Zano	ZGRIDLED150	150W Max	LED	1-6	Dims to 100% smooth
Zano	ZGRIDLED250	250W Max	LED	1-6	Dims to 100% smooth

The below list of dimmer switches have also been tested by Crompton Lamps and do not meet our dimming compatibility standards.

Varilight: V-Pro JQP252W, LDPE: KQP221W, Zano: ZMC250

Lighting brilliance since 1878

Phoebe LED™ is a trading name of Crompton Lamps Limited
Crompton Lamps Limited registered in England and Wales No. 05590551
Registered office and correspondence address: Unit 2, Martree Business Park, Bowling Back Lane, Bradford BD4 8QE

Tel: +44 (0)1274 657 088 **Fax:** +44 (0)1274 657 087 **Email:** sales@cromptonlamps.com **Web:** www.cromptonlamps.com

All images and specifications are for illustration purposes only and are subject to change without notice.
E. & O. E. © Crompton Lamps Limited 2019