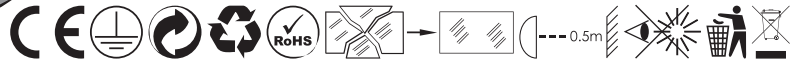




# LED ATLAS COMMERCIAL FLOODLIGHT



This instruction sheet is relevant to Phoebe LED Floodlights with part codes: 9134, 9141, and 9158.

**THANK YOU for buying this PHOEBE LED product.** To help ensure this luminaire gives complete satisfaction please only use it according to the following instructions, and then pass the instructions to the appropriate person for retention and future reference.

## Warning

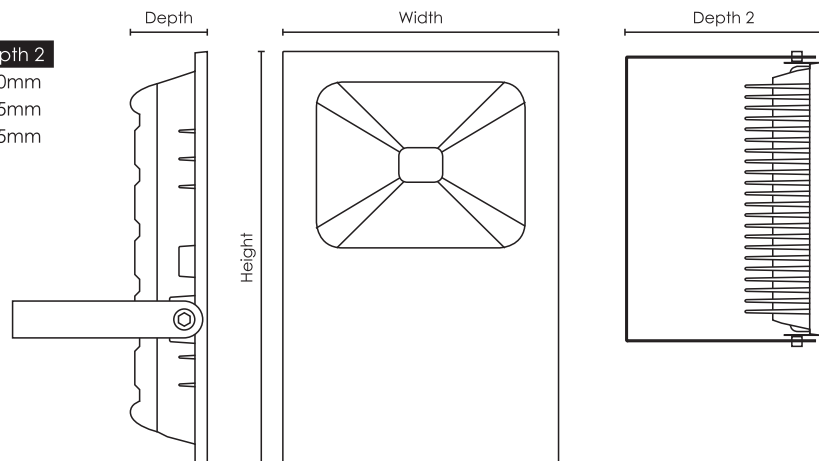
1. Installation only to be carried out by a qualified electrician
2. Must be installed on a heavy duty structure capable of withstanding 3x weight of the unit
3. Use suitable mounting fixtures that will securely anchor the unit to your surface
4. 240V mains cable connection should be made with a suitable IP65 junction box
5. Phoebe LED recommends the use of a D-type circuit breaker for protection of this unit
6. Minimum distance of Xm is required between light source and lighted object
7. Do not operate if product is damaged

## Specifications

Part Code	Wattage	Voltage	Power Factor	IP Rating	Weight	Total Lumens	Cable	Insulation	Ambient Operating Temp
9134	100W	90-264V			4kg	9000lm			
9141	150W	AC	>0.9	IP65	6kg	13000lm	VDE H05RN35 1.0mm	Class I	-25°C to 50°C
9158	200W	50/60Hz			9.8kg	18000lm			

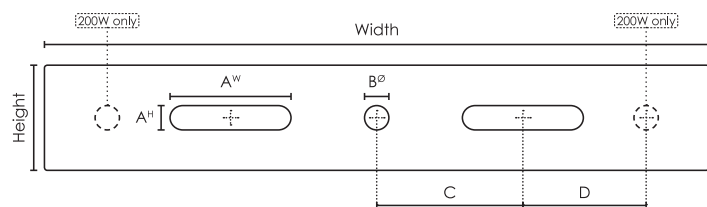
## Dimensions

Part Code	Wattage	Width	Height	Depth	Depth 2
9134	100W	255mm	280mm	90mm	140mm
9141	150W	290mm	365mm	90mm	205mm
9158	350W	435mm	440mm	100mm	245mm



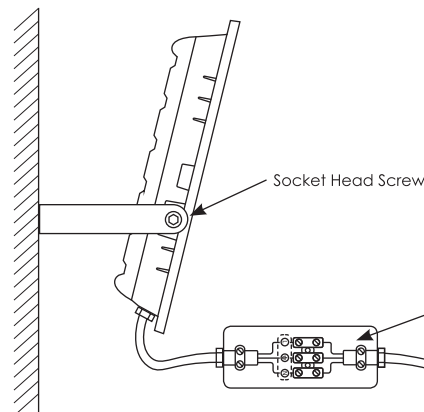
## Mounting Bracket

Part Code	Wattage	Width	Height	A <sup>w</sup>	A <sup>h</sup>	B <sup>o</sup>	C	D
9134	100W	265mm	30mm	30mm	10mm	12mm	75mm	-
9141	150W	300mm	40mm	30mm	10mm	12mm	75mm	-
9158	200W	360mm	50mm	35mm	15mm	15mm	55mm	45mm



## Angle Adjustment

1. Loosen socket head screw and adjust to unit to desired angle
2. Tighten socket head screw to prevent unit from moving



## Wiring Instructions

1. Installation only to be carried out by a qualified electrician
2. 240V mains cable connection should be made with a suitable IP65 junction box
3. Connect power lead to 240V mains electricity
4. Phoebe LED recommends the use of a D-type circuit breaker for protection of this unit

IP65 Junction Box  
Brown = Live  
Green/Yellow = Earth  
Blue = Neutral  
→ To 240V Mains

Images are for information only. Phoebe LED shall not be held liable for improper operation of the luminaire in circumstances where procedures and specifications have not been followed correctly.

**Tel: +44 (0)1274 657 088 Fax: +44 (0)1274 657 087 Web: www.phoebeled.com**