



PHOEBE LED ATLAS COMMERCIAL FLOODLIGHT

Commercial Grade LED Floodlights

Mains operated IP65 Commercial LED Floodlights, ideal for illuminating large areas such as company car parks, industrial grounds or up-lighting buildings.

- IP65 rated - suitable for outdoor use
- Die-cast aluminium with tempered glass lens IK04 Rating
- Adjustable bracket to 180°
- 110° beam angle
- Fitted with heat resistant 10mm rubber gland and 1.0 metre TRS cable.
- IP65 Meanwell driver with universal input 100v-305VAC



- IP65
IP Rating
- IK04
Impact Rating
- 30,000
Hours Average Rated Life
- 15,000
Switching Cycles
- 110°
Beam Angle

NEW
photocell
VERSION
NOW
AVAILABLE



100W, 150W and 200W models, providing a powerful range of floodlights for lighting outdoor and industrial areas.

360°

The 360° degree adjustable bracket allows for easy installation in a variety of mounting positions.

With it's IP65 rating and tough IK04 exterior, routine cleaning is easy using a jet wash or water fed cleaning pole, eliminating the need for ladders or cherry pickers.

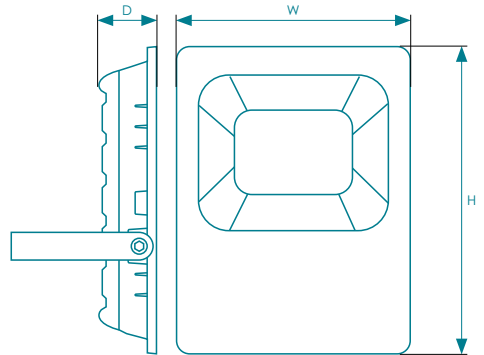


Technical Information

Commercial Grade LED Floodlights



- IP65 rated - suitable for outdoor use
- Die-cast aluminium with tempered glass lens IK04 Rating
- Photocell version for automatic dusk till dawn function (dusk 10-20 lux, dawn 30-60 lux)
- 30,000 hours average rated life
- 15,000 switching cycles
- Black powder coating
- Adjustable bracket to 180°
- 110° beam angle
- Fitted with heat resistant 10mm rubber gland and 1.0 metre TRS cable.
- Ambient operating temperature -20°C to 45°C
- IP65 Meanwell driver with universal input 100v-305VAC
- Instant full light
- 5 year warranty



Product Code	Description	Watts (W)	Volts (V)	Colour Appearance	Colour Temp (K)	Total Lumens (lm)	Beam Angle	Dimensions (mm)			Order Qty
								W	H	D	
Single Carton											
12103	Standard	100	240	Cool White	4000	9,900	110°	257	340	59	1
12110	Standard	150	240	Cool White	4000	15,600	110°	280	374	63	1
12127	Standard	200	240	Cool White	4000	20,200	110°	299	414	69	1
14183	with Photocell	100	240	Cool White	4000	9,900	110°	257	340	59	1
14190	with Photocell	150	240	Cool White	4000	15,600	110°	280	374	63	1
14206	with Photocell	200	240	Cool White	4000	20,200	110°	299	414	69	1

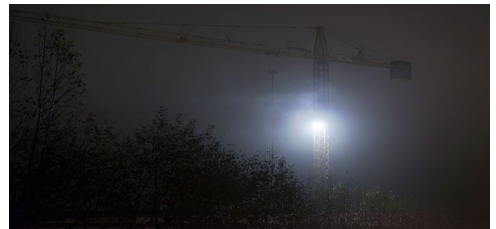
Terminal block not included. Installation may require advice from a qualified person

100W Annual running cost = £36.72

150W Annual running cost = £55.07

200W Annual running cost = £73.43

*Above figures are based on annual usage 7hrs/day @ £0.1437kWhr



Crompton Lamps Limited registered in England and Wales No: 05590551

Crompton Lamps Limited
Unit 2
Marrtree Business Park
Bowling Back Lane
Bradford
BD4 8QE

Tel: 01274 657 088
Fax: 01274 657 087
Email: sales@cromptonlamps.com



Design and production by Marketing,
Crompton Lamps Limited
E. & O. E. © Crompton Lamps Limited 2019.
All rights reserved.

www.cromptonlamps.com

