

**PHOEBE  
LED**



# Spectrum LED Downlight with Bluetooth App Control



Mains operated fire rated IP65 energy efficient integrated LED downlight, with tuneable white spotlight and RGB/white colour changing ambient halolight

- Twin light outputs can be used together or independently - 9417/9424 only
- Download the Phoebe LED Spectrum control app from Google Play or Apple App Store
- Fully dimmable spotlight tuneable from 2200K extra warm white to 6500K daylight colour temperature
- 30, 60 & 90 minute fire rated - Fully compliant and certified to BS476 Parts 21 and 22\*
- Full spectrum RGB/White dimmable halolight with selectable colour or fast/slow cycle through colours options - 9417/9424 only
- Colour rendering index Ra≥80
- Long life 50,000 hours maintenance free operation
- 100,000 switching cycles
- IP65 rated, suitable for outdoor use
- Instant full light



Spectrum Orion downlight does not have an ambient rim light

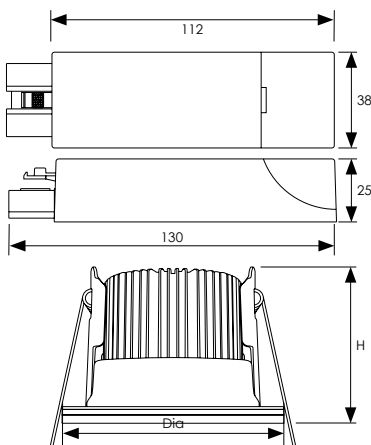


Each Spectrum downlight is supplied with white, chrome and brushed aluminium bezels with magnetic fastener for quick removal/change

Gloss Black and Antique Brass Bezels now available

Product Code	Description	Watts (W)	Volts (V)	Colour Appearance Inner/Outer	Colour Temp (K)	Useful Lumens (lm)	Beam Angle	Dimensions (mm) Dia H Cutout ø	Order Qty
<b>Single Carton</b>									
9417	RGB Halo	10	240	CCT/RGB	2200-6500	650	40°	80 55 67-70	1
9424	White Halo	10	240	CCT/CCT	2200-6500	650	40°	80 55 67-70	1
10475	Orion	10	240	CCT/ -	2200-6500	650	40°	80 53 67-70	1
<b>Accessories Single Carton</b>									
10505	Gloss Black Bezel							80	1
10512	Antique Brass Bezel							80	1

\* Part L Compliant of UK Building Regulations, Part B Compliant BS476 Parts 21 and 22, Suitable for 30 minute 600mm/15mm single layer standard wallboard, 60 minute 600mm/12.5mm twin layer fireboard and 90 minute 450mm/15mm twin layer fireboard ceilings.

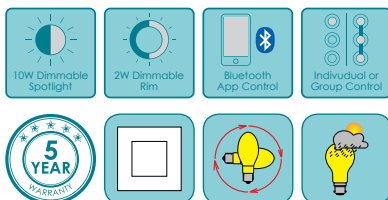


This luminaire contains built-in LED lamps.

The lamps cannot be changed in the luminaire.

**LED**

CROMPTON LAMPS 874/2012



Lighting brilliance since 1878



Phoebe LED™ is a trading name of Crompton Lamps Limited  
 Crompton Lamps Limited registered in England and Wales No. 05590551  
 Registered office and correspondence address: Unit 2, Marrtree Business Park, Bowling Back Lane, Bradford BD4 8QE  
**Tel:** +44 (0)1274 657 088 **Fax:** +44 (0)1274 657 087 **Email:** sales@cromptonlamps.com **Web:** www.cromptonlamps.com

All images and specifications are for illustration purposes only and are subject to change without notice.  
 E. & O. E. © Crompton Lamps Limited 2018