

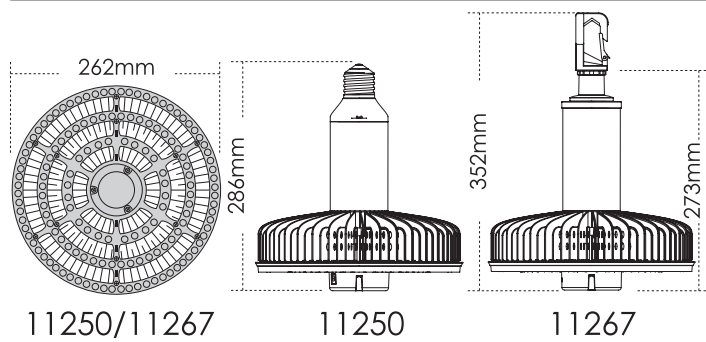


This instruction sheet is relevant to Phoebe Filamento integrated LED high bay part codes: 11250,11267

THANK YOU for buying this PHOEBE LED product. To help ensure this luminaire gives complete satisfaction please only use it according to the following instructions, and then pass the instructions to the appropriate person for retention and future reference.

Warning

1. Installation only to be carried out by a qualified electrician
2. Must be installed on a heavy duty structure capable of withstanding 3x weight of the unit
3. For 11267, use suitable mounting fixtures that will securely anchor the unit to your surface
4. Phoebe LED recommends the use of a D-type circuit breaker for protection of this unit
5. Do not operate if product is damaged



Product code	Power (W)	Beam Angle	Colour Temp (K)	Weight (kg)
11250	150	50°	5000	1.68
11267	150	50°	5000	1.77

11250/11267

11250

11267

Ballast Bypass OR Ballast Compatible

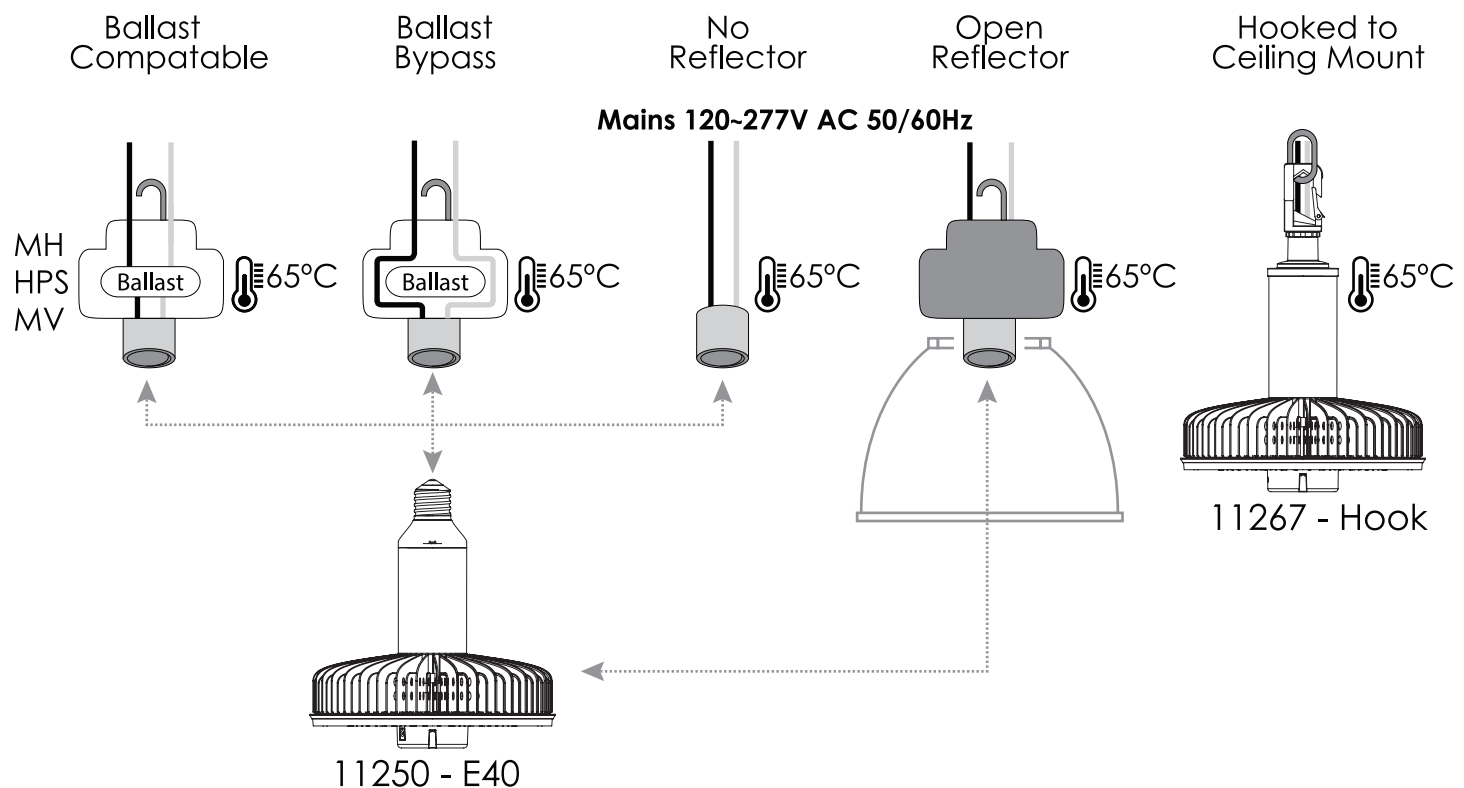
The Filamento hybrid LED solution offers unparalleled flexibility - it is the first in the industry to be UL Listed for use with most magnetic ballasts (175-600W) as well as ballast to mains line voltage (120-277V).

Ballast Bypass

Bypassing the ballast enables the best energy saving by rerouting the mains power around the ballast to power the lamp directly. In this configuration the ballast no longer consumes power, saving typically an additional 50W. This creates the optimum power factor of >0.95.

Ballast Compatible

This option is the simplest way to replace existing HID lamps, without the need for electricians: just change the lamp. In event of future ballast failure, you can still use the existing Filamento and bypass the failed ballast to power the lamp directly from the mains line voltage.



Images are for information only. Phoebe LED shall not be held liable for improper operation of the luminaire in circumstances where procedures and specifications have not been followed correctly. Crompton Lamps Limited 2018

Tel: +44 (0)1274 657 088 Fax: +44 (0)1274 657 087 Web: www.phoebeled.com

Filamento 11250 Installation Instructions - For Ballast compatible mode skip steps 5-8 & 11

<p>1.</p> <p>Supplemental Cable</p> <p>Tools</p> <p>Filamento E40 Series Lamp 11250</p> <p>Make sure you have the required parts and tools.</p>	<p>2.</p> <p>Turn power to lamp off.</p>	<p>3.</p> <p>Remove HID lamp.</p>	<p>4.</p> <p>Make sure socket is not damaged.</p>	<p>5.</p> <p>Disconnect Line Voltage in (+) from ballast.</p>
<p>6.</p> <p>Disconnect Neutral (-) from ballast.</p>	<p>7.</p> <p>Disconnect the socket from the ballast completely.</p>	<p>8.</p> <p>Connect Live (120VAC-277VAC) to brown wire and Neutral to blue wire connected to socket.</p>		
<p>9.</p> <p>Install Filamento Hybrid LED Lamp.</p>	<p>10.</p> <p>Attach safety harness.</p>	<p>11.</p> <p>Apply re-lamping label on a visible location outside the fixture</p>	<p>12.</p> <p>Turn power on.</p>	

0-10V Dimming

follow the instructions below for attaching a 0-10V dimming cord.

<p>1.</p> <p>Install 0-10V connector in front module marked "0-10V Dimming Port".</p>	<p>2.</p> <p>Thread the cable upwards between the gap closest to body to ensure no LEDs are covered and connect the Purple wire to dimming control (+) & the Grey wire to dimming control (-).</p>
--	---

Filamento 11267 Hook Installation Instructions

<p>1.</p> <p>Tools</p> <p>Filamento Hook Lamp 11267</p> <p>Make sure you have the required parts and tools.</p>	<p>2.</p> <p>Turn power to fixture off.</p>	<p>3.</p> <p>Attach hook to a suitable mounting surface</p>	<p>4.</p> <p>Wire fitting to mains as per current wiring regulations. For 0-10V dimming connect purple wire to dimming control (+) & the Grey wire to dimming control (-).</p>	<p>5.</p> <p>Turn power on.</p>
---	--	--	---	--

Images are for information only. Phoebe LED shall not be held liable for improper operation of the luminaire in circumstances where procedures and specifications have not been followed correctly. Crompton Lamps Limited 2018

Tel: +44 (0)1274 657 088 Fax: +44 (0)1274 657 087 Web: www.phoebel.com