

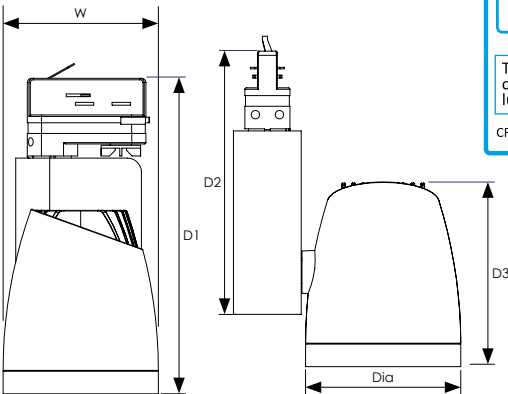
Ares LED Track Spot-Light



Energy efficient LED Track Spot-Light.

- Universal adapter for all 3-circuit track systems
- Circuit selection knob
- Constructed from tough polycarbonate and aluminium
- 360° horizontal and 180° vertical spot-light adjustment
- Faceted reflector to provide precise beam control
- Available in white or black finish
- Long life maintenance free operation with 40,000 hours
- Colour rendering index Ra≥80
- Instant full light
- IP20 rated for indoor use only
- Not suitable for dimming

| Product Code | Watts (W) | Volts (V) | Colour Appearance | Colour Temp (K) | Useful Lumens (lm) | Total Lumens (lm) | Beam Angle | Dimensions (mm) | | | | | Order Qty |
|-------------------------------------|-----------|-----------|-------------------|-----------------|--------------------|-------------------|------------|-----------------|-----|-----|-----|-----|-----------|
| | | | | | | | | Dia | W | D1 | D2 | D3 | |
| Single Carton - Black Finish | | | | | | | | | | | | | |
| 6676 | 12 | 240 | Warm White | 3000 | 845 | 910 | 30° | 75 | 89 | 220 | 153 | 104 | 1 |
| 6683 | 12 | 240 | Cool White | 4000 | 900 | 955 | 30° | 75 | 89 | 220 | 153 | 104 | 1 |
| 6713 | 35 | 240 | Warm White | 3000 | 2650 | 3000 | 24° | 110 | 110 | 234 | 167 | 131 | 1 |
| 6720 | 35 | 240 | Cool White | 4000 | 2870 | 3300 | 24° | 110 | 110 | 234 | 167 | 131 | 1 |
| Single Carton - White Finish | | | | | | | | | | | | | |
| 6690 | 12 | 240 | Warm White | 3000 | 845 | 910 | 30° | 75 | 89 | 220 | 153 | 104 | 1 |
| 6706 | 12 | 240 | Cool White | 4000 | 900 | 955 | 30° | 75 | 89 | 220 | 153 | 104 | 1 |
| 6737 | 35 | 240 | Warm White | 3000 | 2650 | 3000 | 24° | 110 | 110 | 234 | 167 | 131 | 1 |
| 6744 | 35 | 240 | Cool White | 4000 | 2870 | 3300 | 24° | 110 | 110 | 234 | 167 | 131 | 1 |



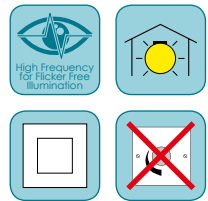
This luminaire contains built-in LED lamps.

The lamps cannot be changed in the luminaire.

CROMPTON LAMPS

LED

874/2012



Lighting brilliance since 1878



Phoebe LED™ is a trading name of Crompton Lamps Limited
 Crompton Lamps Limited registered in England and Wales No. 05590551
 Registered office and correspondence address: Unit 2, Marrtree Business Park, Bowling Back Lane, Bradford BD4 8QE
Tel: +44 (0)1274 657 088 **Fax:** +44 (0)1274 657 087 **Email:** sales@cromptonlamps.com **Web:** www.cromptonlamps.com

All images and specifications are for illustration purposes only and are subject to change without notice.
 E. & O. E. © Crompton Lamps Limited 2018