

This instruction sheet is relevant to Phoebe LED Melana oval Bulkhead part codes: 10574 & 10593

THANK YOU for buying this PHOEBE LED product. To help ensure this luminaire gives complete satisfaction please only use it according to the following instructions, and then pass the instructions to the appropriate person for retention and future reference.

Environmental Protection
Waste electrical products should not be disposed of with household waste. Please recycle where facilities exist. Check with your Local Authority or retailer for recycling advice.

**BEFORE YOU START
PLEASE READ ALL THE
INSTRUCTIONS CAREFULLY**

PRIOR TO INSTALLATION



Turn power off at the mains

ONLY ONCE INSTALLATION IS COMPLETE



Turn power back on at the mains

CIRCUIT TESTING

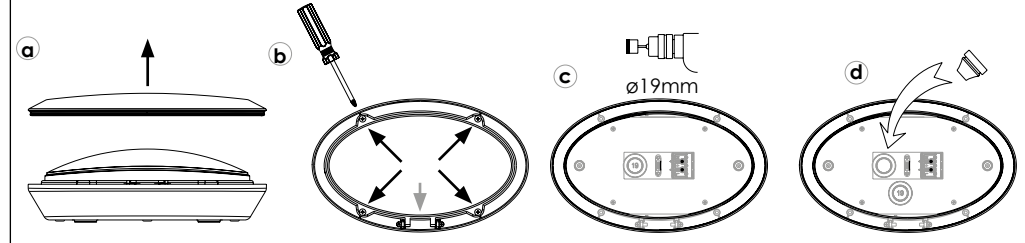
For high voltage circuit insulation testing disconnect mains input supply first
(Do not circuit test using a Megger)

Warning

1. Installation only to be carried out by a qualified electrician
2. Please ensure surface is suitable and capable of holding the lamp weight
3. Do not operate if product is damaged
4. Suitable for use in or outdoors IP66 rating
5. This product is not suitable for fire rated installations

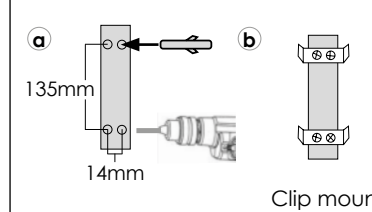
1. Prepare the Melana oval bulkhead

- a. Carefully remove outer ring, use a thin blunt tool to raise the lip
- b. Unscrew the diffuser and open, the diffuser can easily be unclipped and removed for easier access
- c. Drill/cut $\varnothing 19\text{mm}$ hole in required position from the inside out
- d. Insert rubber grommet to preserve IP rating



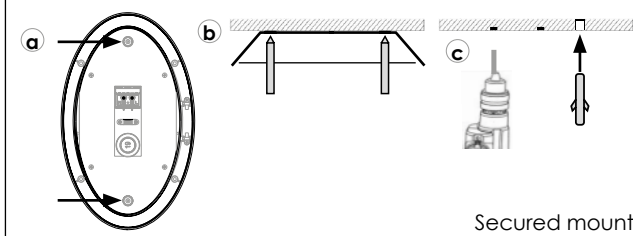
2. Prepare mounting surface

- a. Use the supplied drilling template, drill $\varnothing 8\text{mm}$ holes and insert supplied raw plugs
- b. Align clips and screw into position



Clip mount

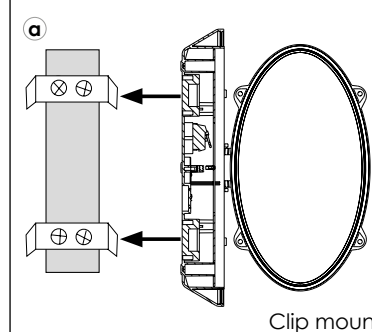
- a. For secured surface mount drill out the holes to $\varnothing 5\text{mm}$
- b. Align to required position and mark drill points
- c. Drill $\varnothing 8\text{mm}$ holes where marked and insert raw plugs



Secured mount

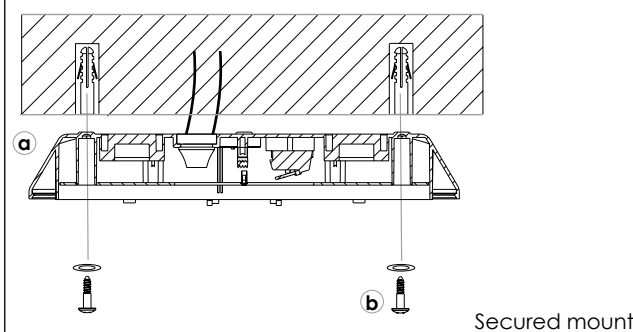
4. Attach Melana bulkhead

- a. For clip mount simply align with bulkhead and push into place



Clip mount

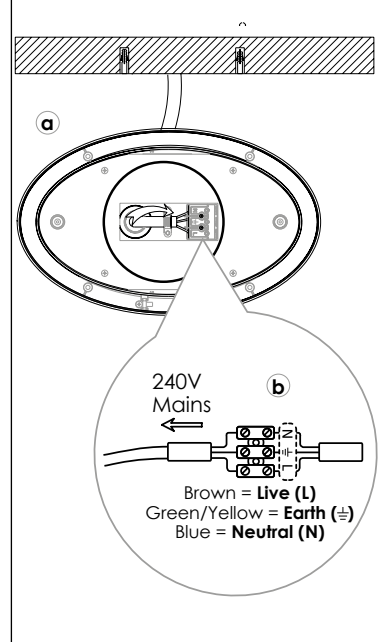
- a. For secured surface mount align holes with inserted raw plugs
- b. Screw into surface using supplied screws and screw seal rings



Secured mount

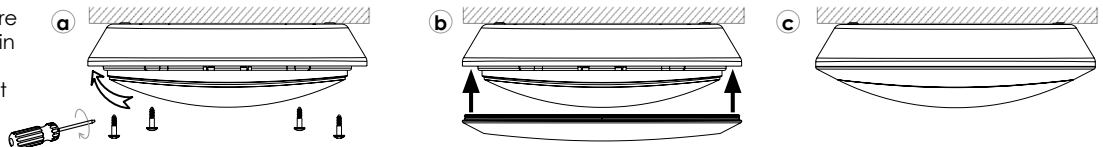
3. Wire to mains electricity

- a. Thread cable through the hole and grommet, and retain under the strain relief
- b. Terminate cables in accordance with current wiring regulations



5. Close bulkhead

- a. Close the diffuser and secure with the 4 screws removed in step 1
- b. Push on the outer ring until it clicks into position
- c. Installation is complete



Images are for information only. Phoebe LED shall not be held liable for improper operation of the luminaire in circumstances where procedures and specifications have not been followed correctly. Crompton Lamps Limited 2018

Tel: +44 (0)1274 657 088 Fax: +44 (0)1274 657 087 Web: www.cromptonlamps.com