

This instruction sheet is relevant to Phoebe LED Plato Downlights product codes: 9554, 9561, 9578

THANK YOU for buying this PHOEBE LED product. To help ensure this luminaire gives complete satisfaction please only use it according to the following instructions, and then pass the instructions to the appropriate person for retention and future reference.

Warning

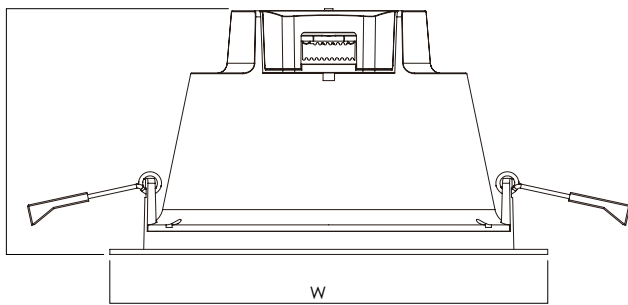
1. Installation only to be carried out by a qualified electrician
2. Please ensure surface is suitable and capable of holding the luminaire's weight
3. Pre-cut hole before installation, (see below chart for hole diameter)
4. Do not operate if product is damaged
5. IP54 rated, suitable for bathroom zones 1-2 when combined with suitable IP rated junction box
6. This product is not suitable for fire rated installations
7. This luminaire must be used with the supplied dimmable driver

The light source of this luminaire is not replaceable; when the light source reaches it's end of life the whole luminaire should be replaced

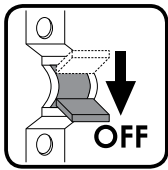
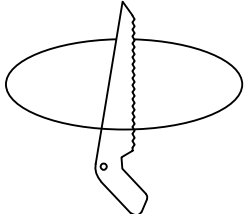
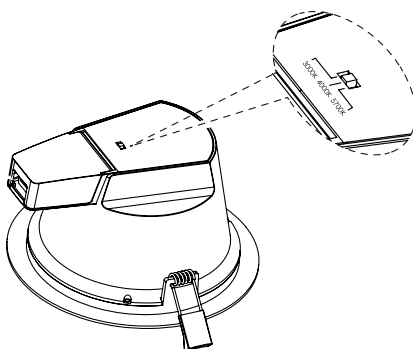
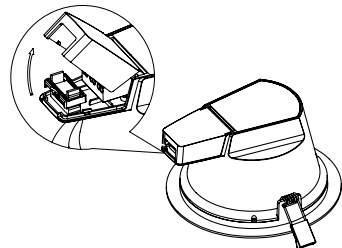
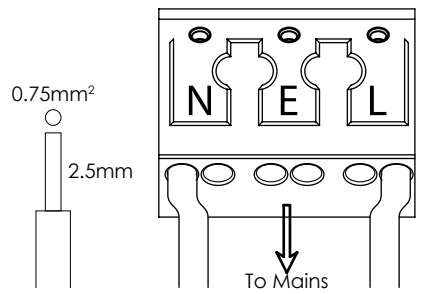
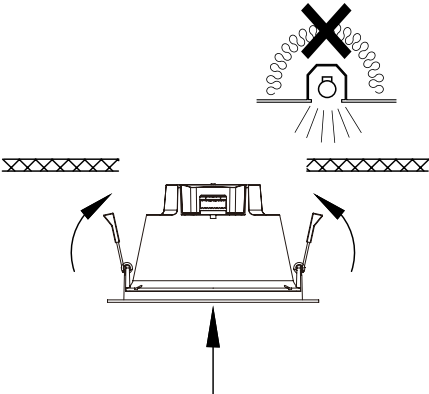
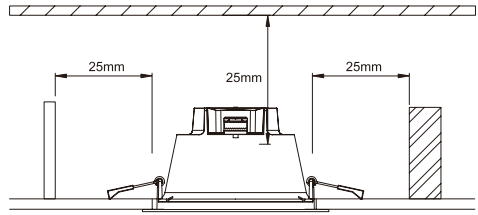

Environmental Protection



Waste electrical products should not be disposed of with household waste. Please recycle where facilities exist. Check with your Local Authority or retailer for recycling advice.



Product Code	Power	Dimensions (mm)		
		Dia	H	
9554	13W	145mm	82mm	Ø125-135mm
9561	18W	172mm	95mm	Ø150-165mm
9578	25W	228mm	98mm	Ø200-210mm

<p>1</p> <p>a. Switch off power b. Prepare cut-out hole in your surface to specified dimensions as stated in above table.</p>  	<p>2</p> <p>Choose the desired colour temperature using the selection switch on the top of the unit.</p> 	<p>3</p> <p>a. Lift the terminal block cover on the back of unit</p> 
<p>4</p> <p>a. Connect to mains electricity AC100-277V in accordance with current wiring regulations, and close cover. b. Loop-in/loop-out connection can be used for continuity of lighting circuit including earth continuity (Max 16A)</p> 	<p>5</p> <p>a. Push back spring clips and insert luminaire into recess.</p> 	<p>6</p> <p>Ensure luminaire is a flush fit and has at least 25mm of ventilation, do not cover with insulating material</p>  <p>b. Switch power on at circuit</p> <p>NB. For high voltage circuit insulation testing disconnect mains input supply first</p>  <p>(Do not circuit test using a Megger)</p>

Images are for information only. Phoebe LED shall not be held liable for improper operation of the luminaire in circumstances where procedures and specifications have not been followed correctly. Crompton Lamps Limited 2017