



ATLAS-MINI LED SLIMLINE FLOODLIGHT



This instruction sheet is relevant to Phoebe LED Atlas-Mini LED Slimline Floodlights with part codes: 6416, 6423, 6430, 6447, 6454, 6461, 7581, 7598, 10314, 10321, 10338, 10345, 10352, 10369, 10376, 10383

THANK YOU for buying this PHOEBE LED product. To help ensure this luminaire gives complete satisfaction please only use it according to the following instructions, and then pass the instructions to the appropriate person for retention and future reference.

Warning

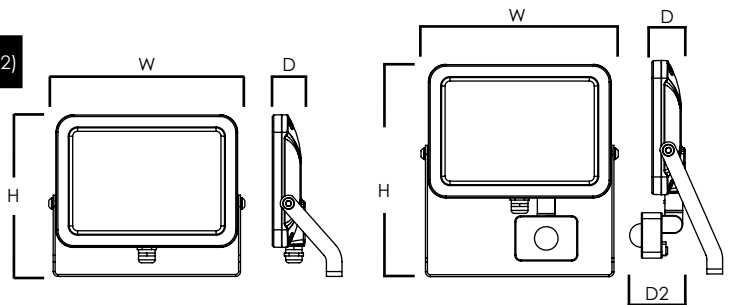
1. Installation only to be carried out by a qualified electrician
2. Please ensure surface is suitable and capable of holding the lamp weight
3. Do not operate if product is damaged
4. Suitable for use outdoors IP66 rating
5. This product is not suitable for fire rated installations

Specifications:

Part Codes	PIR sensor fitted	Wattage	Voltage	Power Factor	IP Rating	IK Rating	Useful Lumens	Total Lumens	Cable	Insulation	Ambient Operating Temp
Black	White										
7581	10314	No	10W	>0.5			760lm	900lm	VDE H05RN-F 3G 1.0mm	Class I	-20°C to 40°C
6416	10338	No	20W	>0.5		1450lm	1600lm				
6430	10352	No	30W	>0.9		2200lm	2400lm				
6454	10376	No	50W	>0.9			3850lm	4200lm	VDE H05RN-F 4G 1.0mm	Class I	-20°C to 40°C
7598	10321	Yes	10W	>0.5	IP66	IK08	760lm	900lm			
6423	10345	Yes	20W	>0.5			1450lm	1600lm			
6447	10369	Yes	30W	>0.9			2200lm	2400lm			
6461	10383	Yes	50W	>0.9			3850lm	4200lm			

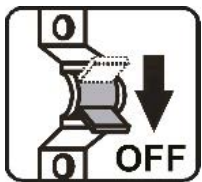
Dimensions:

Part Codes	Wattage	Width (W)	Height (H)	Depth (D)	Depth inc. PIR (D2)	
Black	White					
7581	10314	10W	140mm	126mm	30mm	-
6416	10338	20W	201mm	166mm	34mm	-
6430	10352	30W	201mm	166mm	34mm	-
6454	10376	50W	298mm	226mm	40mm	-
7598	10321	10W	140mm	188mm	30mm	51mm
6423	10345	20W	201mm	216mm	34mm	51mm
6447	10369	30W	201mm	216mm	34mm	51mm
6461	10383	50W	298mm	272mm	40mm	55mm



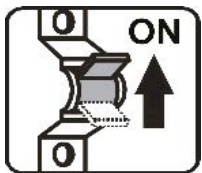
BEFORE YOU START PLEASE READ ALL THE INSTRUCTIONS CAREFULLY

PRIOR TO INSTALLATION



Turn power off at the mains

ONLY ONCE INSTALLATION IS COMPLETE



Turn power back on at the mains

CIRCUIT TESTING

For high voltage circuit insulation testing disconnect mains input supply first

(Do not circuit test using a Megger)

Fitting:

1. Mark drill points and drill fixing holes and hole for power cable (if required)
2. Align luminaire and fix in place surface using bolts/ fixtures suitable for chosen surface, the angled bracket allows access to mounting points without the need to disassemble the fitting

Angle Adjustment:

1. Angle floodlight to desired angle
2. Tighten socket head screw to prevent unit from moving

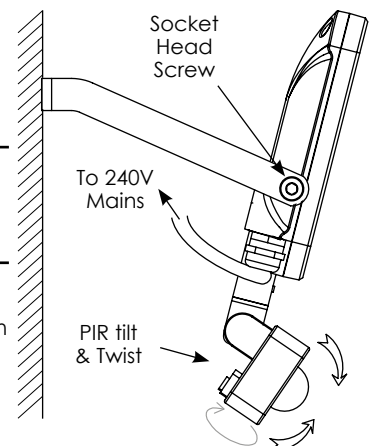
Wiring Instructions:

1. Installation only to be carried out by a qualified electrician
2. 240V mains cable connection should be made with a suitable IP65 junction box
3. Connect power lead to 240V mains electricity in accordance with current wiring regulations

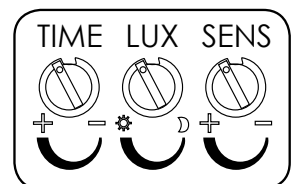
(see wiring diagrams overleaf)

Operation Instructions (for PIR Sensor Only):

- The monitoring angle is up to 120°
- Depending on the angle of the sensor the monitoring range has a maximum detection distance of 12m
- Lighting time length can be adjusted from 10 seconds (±3 sec) turning clockwise up to 8 minutes (±2 min) after detection
- Dusk-til-Dawn detection can be manually adjusted by turning the LUX dial to allow for light levels/time of year (for daylight sensor testing turn fully to sun position)
- Sensitivity of the motion sensor can be changed by adjusting the SENS dial effective range 5m to 12m



Settings are on the Rear of the PIR



Images are for information only. Phoebe LED shall not be held liable for improper operation of the luminaire in circumstances where procedures and specifications have not been followed correctly.

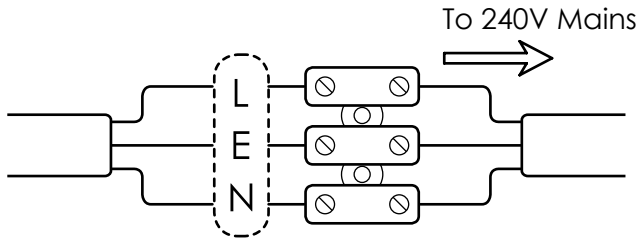
Tel: +44 (0) 1274 657 088 Fax: +44 (0) 1274 657 087 Web: www.phoebeled.com



ATLAS-MINI LED SLIMLINE FLOODLIGHT WIRING DIAGRAMS

Single Standard Atlas-Mini

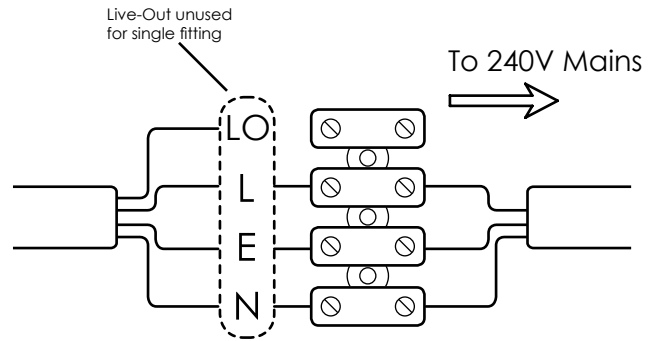
Brown = Live
Green/Yellow = Earth
Blue = Neutral



This wiring diagram relevant to Phoebe LED Atlas-Mini LED Slimline Floodlights with part codes:
6416, 6430, 6454, 7581, 10314, 10338, 10352, 10376

Single PIR Sensor Atlas-Mini

Black = Live-Out
Brown = Live
Green/Yellow = Earth
Blue = Neutral

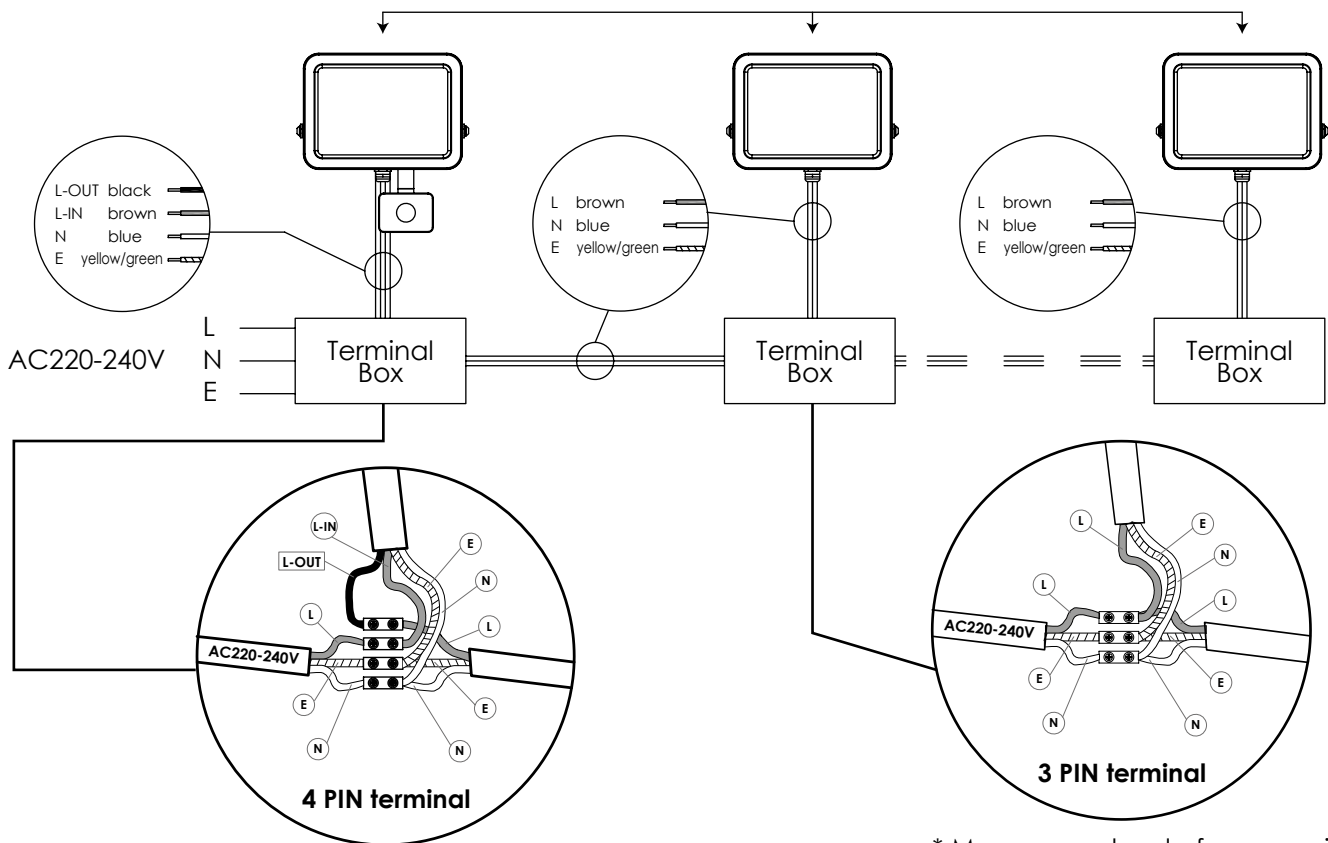


This wiring diagram relevant to Phoebe LED Atlas-Mini LED Slimline Floodlights with PIR sensor part codes:
6423, 6447, 6461, 7598, 10321, 10345, 10369, 10383

Controlling multiple luminaires with one PIR sensor model

Black = Live Out
Brown = Live
Green/Yellow = Earth
Blue = Neutral

Power < 180W



* Max. power load of a sensor is 180W.

This wiring diagram relevant to Phoebe LED Atlas-Mini LED Slimline Floodlights with part codes:
6416, 6423, 6430, 6447, 6454, 6461, 7581, 7598, 10314, 10321, 10338, 10345, 10352, 10369, 10376, 10383

Images are for information only. Phoebe LED shall not be held liable for improper operation of the luminaire in circumstances where procedures and specifications have not been followed correctly.

Tel: +44 (0)1274 657 088 **Fax:** +44 (0)1274 657 087 **Web:** www.phoebeled.com