



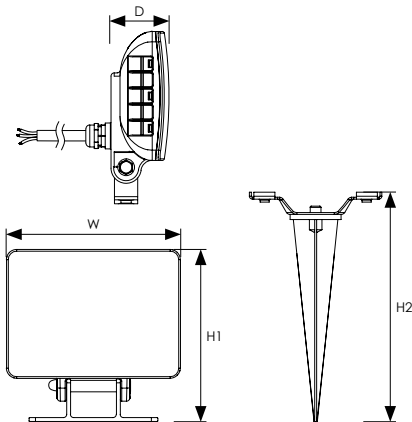
Terra LED Garden Spike




LED mains powered LED floodlight, supplied with 17cm garden spike, can also be surface mounted.

- IP65 rated for outdoor use
- Suitable for electronic switching, electronic timers and PIR sensors
- Constructed from tough IK07 rated ASA plastic, with diecast aluminium spike
- Suitable for gardens to illuminate features such as statues, shrubs, trees and flowers or to illuminate walls and fences/trellises etc.
- 1 metre VDE cable attached
- 25,000 hour life
- 12,500 switching cycles
- Instant full light
- Not suitable for dimming

Product Code	Watts (W)	Volts (V)	Colour Appearance	Colour Temp (K)	Useful Lumens (lm)	Total Lumens (lm)	Beam Angle	Halogen Equiv. (W)	Dimensions (mm)				Order Qty
									H1	W	D	H2	
Single Carton													
6188	10	240	Cool White	4000	820	1000	60°	70	134	135	43	174	1





This luminaire contains built-in LED lamps.

The lamps cannot be changed in the luminaire.

CROMPTON LAMPS

A++


A+

A

~~C~~

~~D~~

}

LED


874/2012

Lighting brilliance since 1878

Phoebe LED™ is a trading name of Crompton Lamps Limited
 Crompton Lamps Limited registered in England and Wales No. 05590551
 Registered office and correspondence address: Unit 2, Marrtree Business Park, Bowling Back Lane, Bradford BD4 8QE
Tel: +44 (0)1274 657 088 **Fax:** +44 (0)1274 657 087 **Email:** sales@cromptonlamps.com **Web:** www.cromptonlamps.com

All images and specifications are for illustration purposes only and are subject to change without notice.
 E. & O. E. © Crompton Lamps Limited 2019

Last Modified: 05/02/19