

LED FLOODLIGHTS

This instruction sheet is relevant to Phoebe LED Floodlights with part codes: 11001, 11002, 11003, 11004 and 11005.



THANK YOU for buying this PHOEBE LED product. To help ensure this luminaire gives complete satisfaction please only use it according to the following instructions, and then pass the instructions to the appropriate person for retention and future reference.

Warning

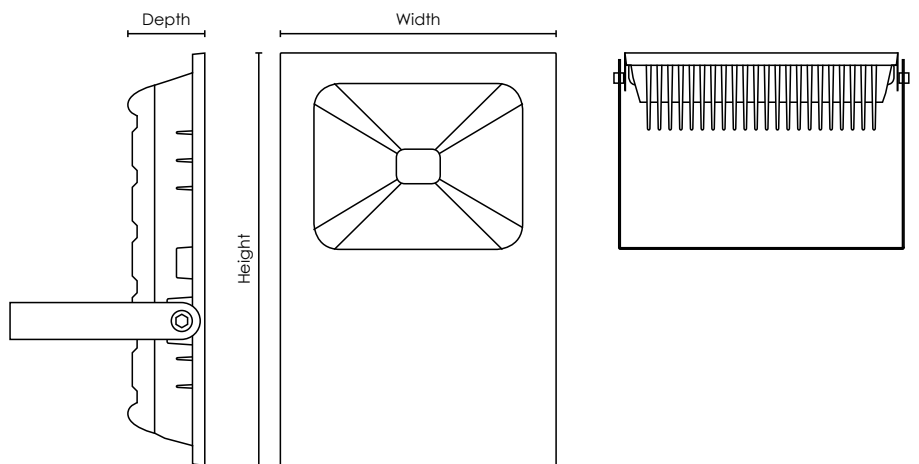
1. Installation only to be carried out by a qualified electrician
2. Must be installed on a heavy duty structure capable of withstanding 3x weight of the unit
3. Use suitable mounting fixtures that will securely anchor the unit to your surface
4. 240V mains cable connection should be made with a suitable IP65 junction box
5. Phoebe LED recommends the use of a D-type circuit breaker for protection of this unit
6. Do not operate if product is damaged

Specifications

Part Code	Wattage	Voltage	Power Factor	IP Rating	Weight	Lumens	Cable	Insulation	Ambient Operating Temp
11001	80W				3.2kg	8000lm			
11002	100W	90-264V			4.35kg	10000lm			
11003	120W	AC	>0.9	IP65	4.5kg	12000lm	VDE H07RNF3G1.0mm	Class I	-25°C to 45°C
11004	150W	50/60Hz			10.4kg	15000lm			
11005	200W				10.5kg	20000lm			

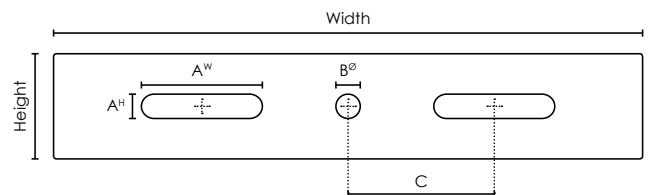
Dimensions

Part Code	Wattage	Width	Height	Depth
11001	80W	250mm	377mm	70mm
11002	100W	290mm	433mm	82mm
11003	120W	290mm	433mm	82mm
11004	150W	360mm	505mm	120mm
11005	200W	360mm	505mm	120mm



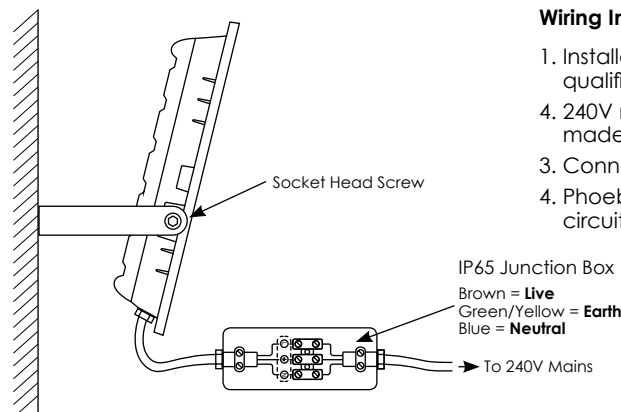
Mounting Bracket

Part Code	Wattage	Width	Height	A ^w	A ^h	B ^o	C
11001	80W	260mm	35mm	42mm	13mm	13mm	55mm
11002	100W	300mm	40mm	42mm	13mm	13mm	55mm
11003	120W	300mm	40mm	42mm	13mm	13mm	55mm
11004	150W	370mm	45mm	35mm	13mm	13mm	76mm
11005	200W	370mm	45mm	35mm	13mm	13mm	76mm



Angle Adjustment

1. Loosen socket head screw and adjust to unit to desired angle
2. Tighten socket head screw to prevent unit from moving



Wiring Instructions

1. Installation only to be carried out by a qualified electrician
4. 240V mains cable connection should be made with a suitable IP65 junction box
3. Connect power lead to 240V mains electricity
4. Phoebe LED recommends the use of a D-type circuit breaker for protection of this unit

Images are for information only. Phoebe LED shall not be held liable for improper operation of the luminaire in circumstances where procedures and specifications have not been followed correctly.

Tel: +44 (0) 1274 657 088 Fax: +44 (0) 1274 657 087 Web: www.phoebeled.com