



This instruction sheet is relevant to Alecto LED Track Spot-Light part codes: 9585, 9592

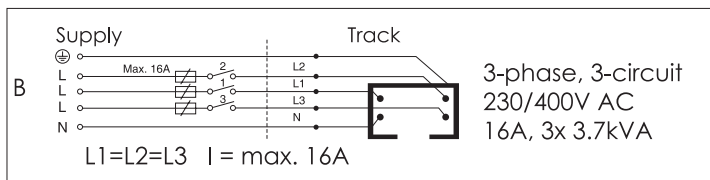
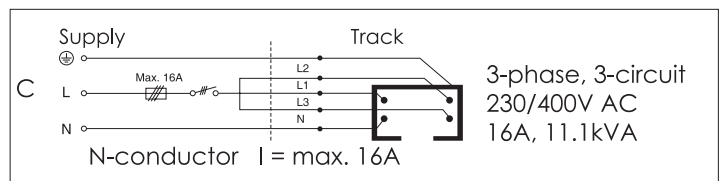
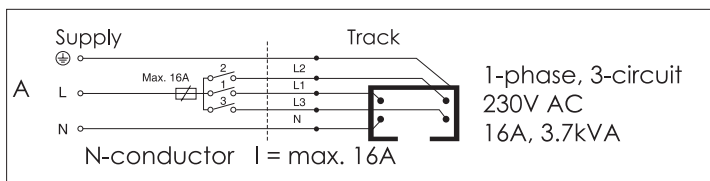
THANK YOU for buying this PHOEBE LED product. To help ensure this luminaire gives complete satisfaction please only use it according to the following instructions, and then pass the instructions to the appropriate person for retention and future reference.

Warning

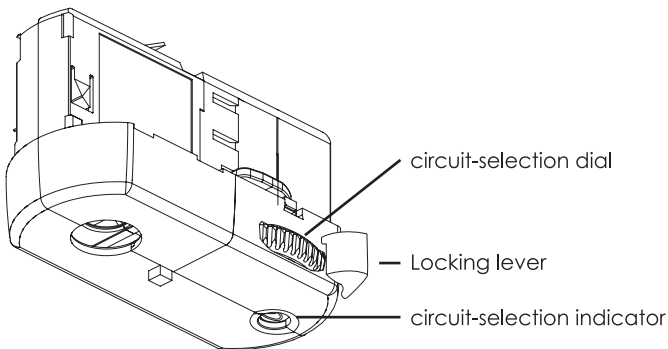
When installing or using this track system, basic safety precautions should always be followed, including the following:

1. Read all instructions
2. Switch off the power supply before installation or maintenance
3. For indoor use only. Do not install this track in damp or wet locations.
4. Do not install any part of a track system less than 5 feet above the floor.
5. Turn off power before installation or before doing any installation or maintenance work.
6. Do not exceed the nominal supply voltage or amperage ratings
7. Do not operate if product is damaged
8. Not suitable for dimming circuit, dim via control on base only

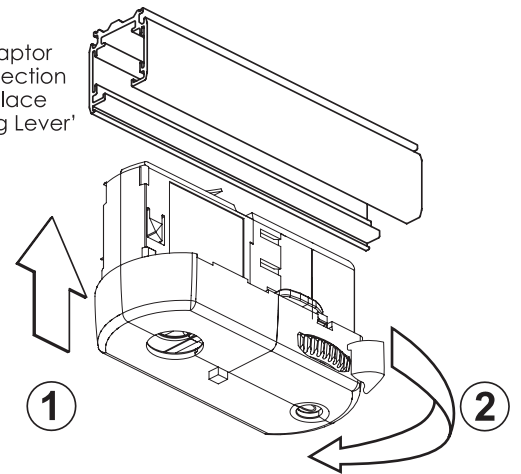
Compatible Track Systems



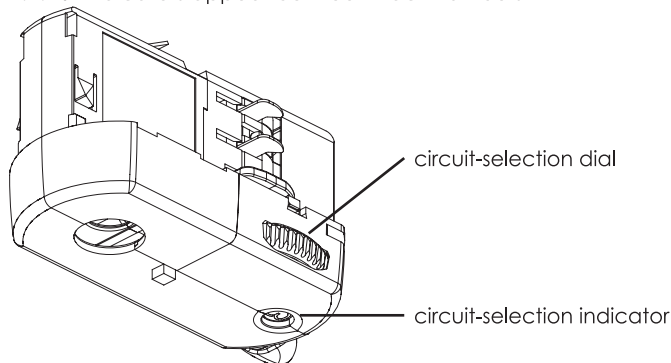
1
Prior to locating Adaptor into Track Section turn the circuit-selection dial to make sure the circuit-selection indicator is set in to the '0' position and that the 'Locking Lever' is set in the position shown.



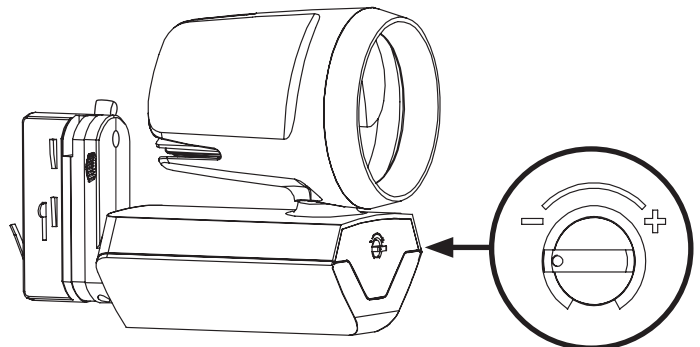
2
Push the Track Adaptor up into the Track Section (1) and lock into place by turning 'Locking Lever' 90° (2)



3
Select the desired track circuit by turning the circuit selection dial until the circuit-selection indicator shows '1', '2' or '3', as desired, **N.B.** '0' indicators appear between track numbers



4
To adjust the dimmer turn the control on the bottom of the luminaire to desired location, dims from 100%-20%



Images are for information only. Phoebe LED shall not be held liable for improper operation of the luminaire in circumstances where procedures and specifications have not been followed correctly.