

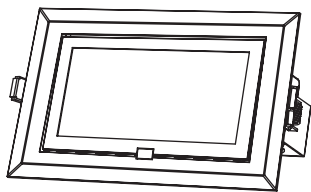


This instruction sheet is relevant to Phoebe Gaia LED Recessed Flicker Free Wall Washer, part code 7291

THANK YOU for buying this PHOEBE LED product. To help ensure this luminaire gives complete satisfaction please only use it according to the following instructions, and then pass the instructions to the appropriate person for retention and future reference.

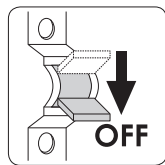
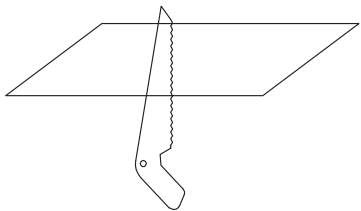
Warning

1. Installation only to be carried out by a qualified electrician
2. Please ensure surface is suitable and capable of holding the lamp weight
3. Do not operate if product is damaged
4. IP20 Rated for use indoors only
5. This product is not suitable for fire rated installations

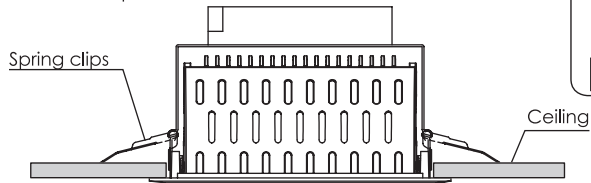


Product code	Power (W)	Beam Angle	Colour Temp (K)	Dimensions (mm)			
				W	H	D	W x H x D
7291	40	120°	4000	246	156	145	225x130

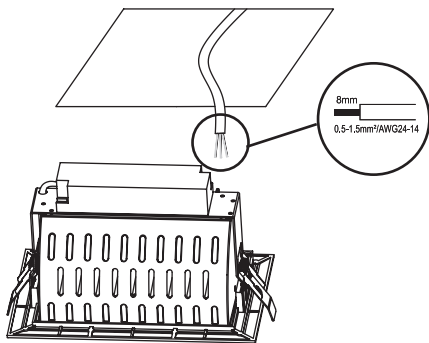
- 1** a. Switch off power
b. Cut hole 225mmx130mm in ceiling



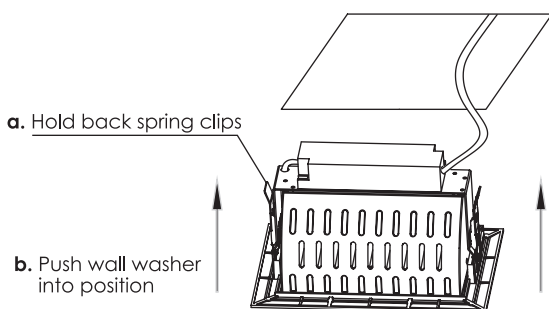
- 4** a. Ensure good fit
b. Tilt to desired angle
c. Turn on power



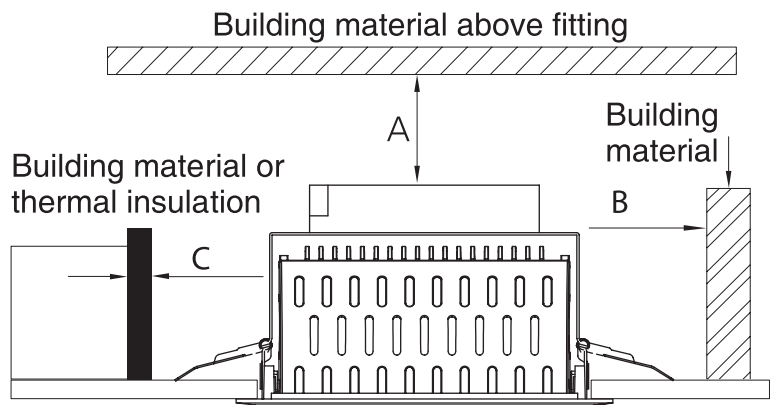
- 2** Connect to 240V mains electricity in accordance with current wiring regulations



- 3** a. Hold back spring clips
b. Push wall washer into position



N.B. Minimum Clearance required



A-gap above the top of fitting	25mm*
B-side gap to structural membrane	25mm*
C-the gap to thermal insulation	25mm*

*Minimum clearances required around fitting to vent heat and ensure fault free installation, fitting without clearance can cause heat build-up and lead to early failure or even fire risk

Images are for information only. Phoebe LED shall not be held liable for improper operation of the luminaire in circumstances where procedures and specifications have not been followed correctly. Crompton Lamps Limited 2017

Tel: +44 (0) 1274 657 088 Fax: +44 (0) 1274 657 087 Web: www.phoebeled.com