

Atlanta Universal LED Downlight

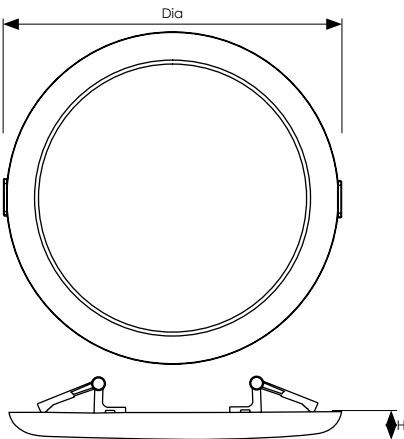


Energy efficient integrated LED downlight with an adjustable-width bracket to fit a range of existing cut-out installations.

- Constructed from TP(a) rated corrosion resistant thermal plastic and corrosion resistant PS diffuser
- Complies with Building Regulations B2
- Dimmable or non-dimmable
- 3000K warm white or 4000K cool white colour temperatures
- 120° beam angle
- 30,000 hours rated life
- 50,000 switching cycles
- Includes 25cm cable pre-wired to input
- Instant full light
- Surface mount or recessed installation
- IP20 rated for indoor use only

Product Code	Watts (W)	Volts (V)	Colour Appearance	Colour Temp (K)	Total Lumens (lm)	Beam Angle	Dimensions (mm)			Order Qty
							Dia	H	Cutout Ø	
Non-Dimmable - Single Carton										
10536	18.5	240	Warm White	3000	1550	120°	230	15	63.5 - 203	1
10543	18.5	240	Cool White	4000	1600	120°	230	15	63.5 - 203	1
Dimmable - Single Carton										
12172	6.5	240	Warm White	3000	440	120°	120	15	65 - 102	1
12189	6.5	240	Cool White	4000	460	120°	120	15	65 - 102	1
12196	18.5	240	Warm White	3000	1550	120°	230	15	63.5 - 203	1
12202	18.5	240	Cool White	4000	1600	120°	230	15	63.5 - 203	1

This product is compatible with most dimmer switches, please refer to website for up-to-date list of compatible dimmer switches.



This luminaire contains built-in LED lamps.

The lamps cannot be changed in the luminaire.

LED

874/2012



Lighting brilliance since 1878

Atlanta 6.5W Universal LED Downlight



The below table is designed to help you choose a suitable dimmer switch for your Phoebe LED dimmable product.

Crompton Lamps have extensively tested the below dimmer switches to evaluate their dimming function and to make sure the dimmer switch meets our dimming compatibility standards.

All compatible dimmer switches may require low end trimming.

For guidelines on dimmer switches not listed below, or for more information please contact Crompton Lamps.

Manufacturer	Dimmer Model	Dimmer Wattage	Dimmer Type	Lamps Tested Per Circuit	Notes
CLICK	MD9014	100W	LED	1-6	Dims smooth 0 - 100%
Hamilton	GRID100LED	5W-100W	Leading	1-6	Dims 10 - 100%
MK	K4511WHILV	4W-70W	LED	3, 5-6 only	Dims 0 - 100%
Varilight	V-Pro JQP401W	10W-400W	Trailing	1-6	Dims smooth 0 - 80%
Varilight	V-Pro JQP252W	10W-250W	Trailing	1-6	Dims smooth 0 - 90%
Zano	ZGRIDLED	5W-250W	LED	1-6	Dims smooth 0 - 100%

Tested as Incompatible:

British General: 881P (400W)
 MK: K4511WHILV (70W) 1-2 & 4 lamps show issues
 Leviton: LEV71906MOD (100W) loud buzz

Lighting brilliance since 1878

Phoebe LED™ is a trading name of Crompton Lamps Limited
 Crompton Lamps Limited registered in England and Wales No. 05590551
 Registered office and correspondence address: Unit 2, Marrtree Business Park, Bowling Back Lane, Bradford BD4 8QE
Tel: +44 (0)1274 657 088 **Fax:** +44 (0)1274 657 087 **Email:** sales@cromptonlamps.com **Web:** www.cromptonlamps.com

All images and specifications are for illustration purposes only and are subject to change without notice.
 E. & O. E. © Crompton Lamps Limited 2019

Atlanta 18.5W Universal LED Downlight



The below table is designed to help you choose a suitable dimmer switch for your Phoebe LED dimmable product.

Crompton Lamps have extensively tested the below dimmer switches to evaluate their dimming function and to make sure the dimmer switch meets our dimming compatibility standards.

All compatible dimmer switches may require low end trimming.

For guidelines on dimmer switches not listed below, or for more information please contact Crompton Lamps.

Manufacturer	Dimmer Model	Dimmer Wattage	Dimmer Type	Lamps Tested Per Circuit	Notes
CLICK	MD9014	100W	LED	1-4	Dims smooth 0 - 100%
Hamilton	GRID100LED	5W-100W	Leading	1-4	Dims in steps 10 - 100%
Varilight	V-Pro JQP401W	10W-400W	Trailing	1-4	Dims smooth 0 - 80%
Varilight	V-Pro JQP252W	10W-250W	Trailing	1-4	Dims smooth 0 - 80%
Zano	ZGRIDLED	5W-250W	LED	1-4	Dims smooth 0 - 100%

Tested as Incompatible:

British General: 881P (400W)

MK: K4511WHILV (70W)

Leviton: LEV71906MOD (100W) loud buzz

Lighting brilliance since 1878

Phoebe LED™ is a trading name of Crompton Lamps Limited

Crompton Lamps Limited registered in England and Wales No. 05590551

Registered office and correspondence address: Unit 2, Marrtree Business Park, Bowling Back Lane, Bradford BD4 8QE

Tel: +44 (0)1274 657 088 **Fax:** +44 (0)1274 657 087 **Email:** sales@cromptonlamps.com **Web:** www.cromptonlamps.com

All images and specifications are for illustration purposes only and are subject to change without notice.

E. & O. E. © Crompton Lamps Limited 2019