



This instruction sheet is relevant to Phoebe LED Manto Integrated 2 part codes: 11021, 11052, 11083, 11113

**THANK YOU for buying this PHOEBE LED product.** To help ensure this luminaire gives complete satisfaction please only use it according to the following instructions, and then pass the instructions to the appropriate person for retention and future reference.

**Warning**

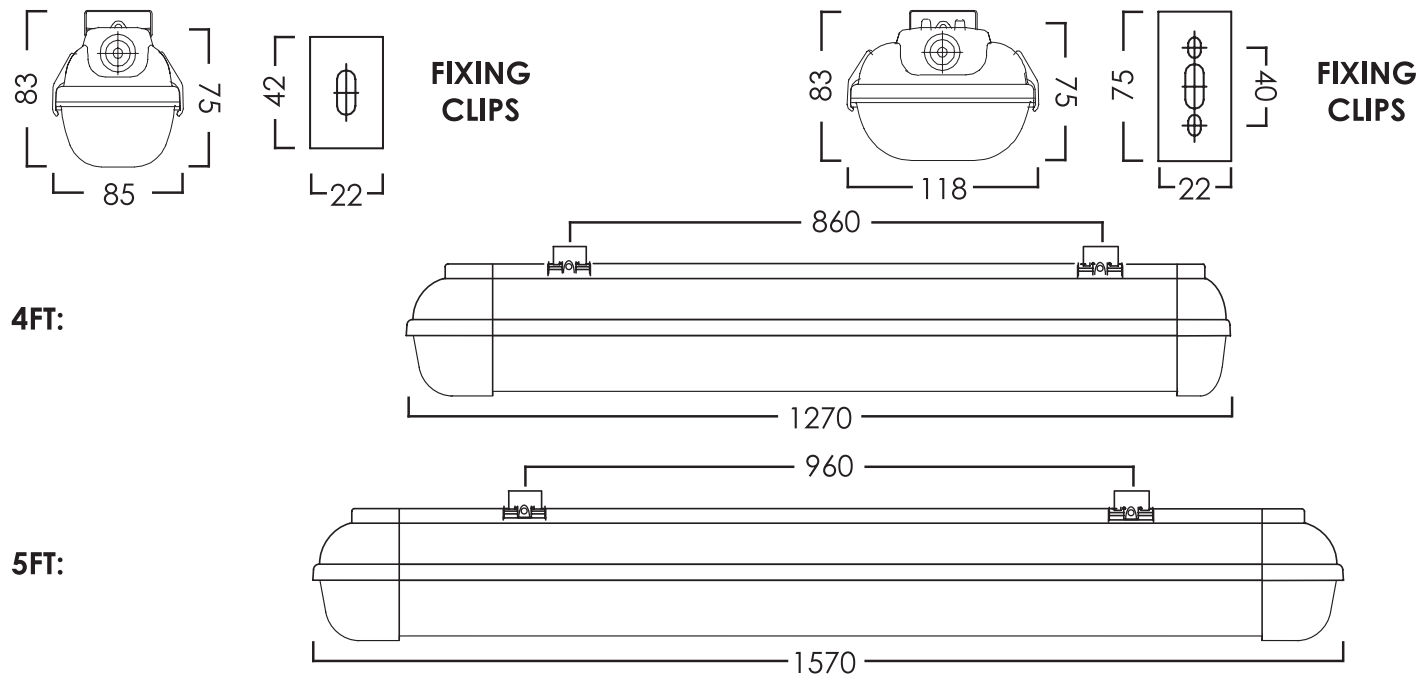
1. Installation only to be carried out by a qualified electrician
2. Please ensure surface is suitable and capable of holding the luminaire weight
3. Do not operate if product is damaged
4. Suitable for use outdoors IP65 rating
5. This product is not suitable for fire rated installations



**Specifications:**

Code	Length	Width	Wattage	Voltage	Power Factor	IP Rating	IK Rating	Total Lumens	Ambient Operating Temperature	Beam Angle	Insulation	Weight
11021	4ft/1270mm	85mm	20W		>0.9			2000lm				1.435 KG
11052	4ft/1270mm	118mm	40W	240V	>0.9			4000lm	-20°C to 40°C	120°	Class I	1.795 KG
11083	5ft/1570mm	85mm	30W	50/60Hz	>0.9	IP65	IK07	3000lm				1.708 KG
11113	5ft/1570mm	118mm	60W		>0.9			6000lm				2.338 KG
<b>Microwave Sensor Models</b>												
11038	4ft/1270mm	118mm	20W		>0.9			2000lm				1.745 KG
11069	4ft/1270mm	118mm	40W	240V	>0.9			4000lm	-20°C to 40°C	120°	Class I	1.825 KG
11090	5ft/1570mm	118mm	30W	50/60Hz	>0.9	IP65	IK07	3000lm				2.258 KG
11120	5ft/1570mm	118mm	60W		>0.9			6000lm				2.368 KG
<b>3 Hour Emergency Models</b>												
11045	4ft/1270mm	85mm	20W		>0.9			2000lm				1.765 KG
11076	4ft/1270mm	118mm	40W	240V	>0.9			4000lm	-20°C to 40°C	120°	Class I	2.135 KG
11106	5ft/1570mm	85mm	30W	50/60Hz	>0.9	IP65	IK07	3000lm				2.018 KG
11137	5ft/1570mm	118mm	60W		>0.9			6000lm				2.678 KG

**Dimensions**

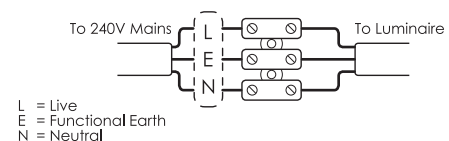


Please review full fitting instructions on next page before connecting to mains.

**Connect to mains in accordance with current wiring regulations.**

**Note:** the luminaire is wired internally with 2 terminal blocks for ease of contiguous loop-in/loop-out installations.

**Standard and Microwave Sensor Luminaire Circuit Diagram**

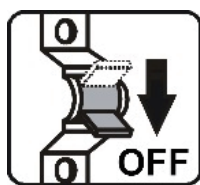


Images and diagrams are for information only. Phoebe LED shall not be held liable for improper operation of the luminaire in circumstances where procedures and specifications have not been followed correctly.

**Tel:** +44 (0)1274 657 088 **Fax:** +44 (0)1274 657 087 **Web:** www.cromptonlamps.com.com

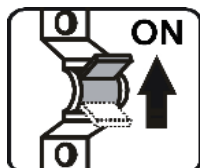
**BEFORE YOU START  
PLEASE READ ALL THE  
INSTRUCTIONS CAREFULLY**

**PRIOR TO INSTALLATION**



Turn power  
off at the  
mains

**ONLY ONCE INSTALLATION  
IS COMPLETE**



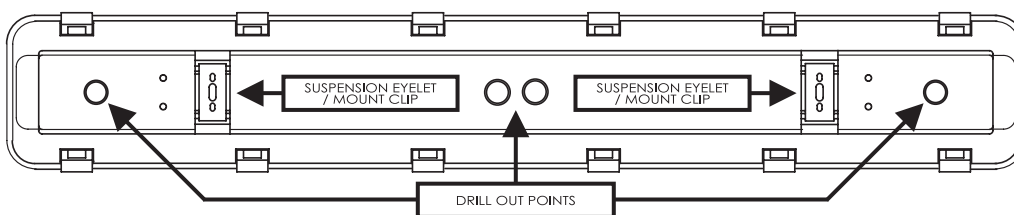
Turn power  
back on at  
the mains

**CIRCUIT TESTING**

For high voltage circuit insulation testing  
disconnect mains input supply first  
**(Do not circuit test using a Megger)**

**LUMINAIRE INSTALLATION**

1. Separate the base from the diffuser.
2. Remove the gear tray from the base by compressing the two retaining clips & then disconnect from the retaining straps via the small snap hooks.
3. Fit the diffuser clips on to the base by snapping into allocated positions. Ensure all clips are fitted. (Diagram 1)



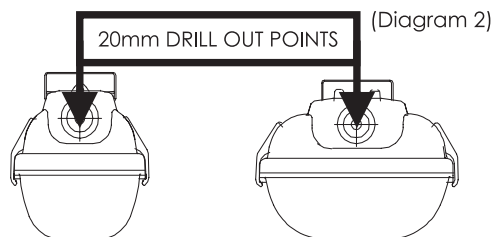
4. The base is able to be fixed via the following methods; once chosen, prepare the ceiling/ mounting points ensuring the fixing surface/mechanism is sufficient to support the luminaire weight & its application –

**Surface fixing:** Mount the two stainless steel, surface mount fixing clips provided to the ceiling at the specified mount clip fixing centres (refer to Dimensions listed on previous page) using appropriate fixings for chosen location. Offer the base up to the clips & push to snap fit. (see Diagram 1).

**Chain or Wire suspension:** Attach the chain/wire to the mounting clips, do not drill through the base for chain/wire suspension. Offer the base up to the clips & push to snap fit. (see Diagram 1).

**Conduit Suspension:** The base comes with specific 20mm diameter drill out points (see diagram 2). These points are reinforced for conduit suspension purposes. Care must be taken to drill a clean hole & not to remove any of the reinforced wall around the hole. We recommend the use of appropriate washers either side of the fitting between the Conduit End and Bush.

5. Route the mains supply cable into the base. This can be via any of the drill out points hole (see Diagram 2) with cable bung at one end, or via drilling a hole at one of the allocated drill out point positions (see Diagram 1). It is the installer's responsibility to ensure the IP65 rating is maintained.
6. Route the mains supply cable to the terminal block & terminate. (See Circuit Diagram on previous page) **NOTE! THIS LUMINAIRE MUST BE EARTHED.**
7. Fully locate the gear tray into the base by aligning the slots with the clips in the base & push to secure.
8. Fit the diffuser by locating onto the base & secure using the snap-fit clips.
9. Optionally screw in the small screw on each clip for tamper resistance.
10. Reconnect power supply & check for correct operation.



**MAINTENANCE**

1. Cleaning should be carried out at regular intervals so as not to impair photometric performance or thermal safety of the luminaire.

Images and diagrams are for information only. Phoebe LED shall not be held liable for improper operation of the luminaire in circumstances where procedures and specifications have not been followed correctly.

**Tel:** +44 (0)1274 657 088 **Fax:** +44 (0)1274 657 087 **Web:** www.cromptonlamps.com.com