

LED
KETO

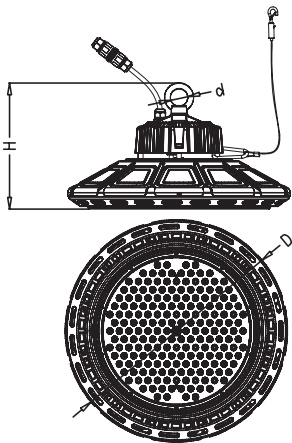


This instruction sheet is relevant to Phoebe Keto integrated LED high bay part codes: 7055, 7062, 7079, 7642, 7659, 7666

THANK YOU for buying this PHOEBE LED product. To help ensure this luminaire gives complete satisfaction please only use it according to the following instructions, and then pass the instructions to the appropriate person for retention and future reference.

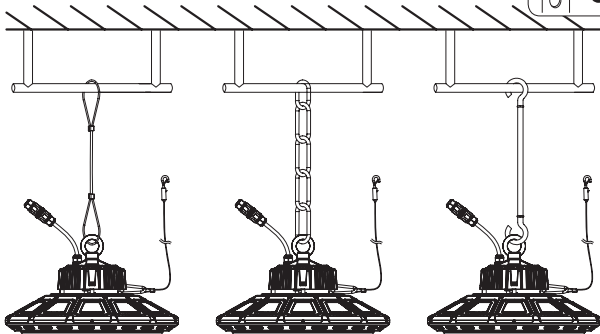
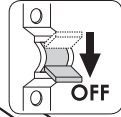
Warning

1. Installation only to be carried out by a qualified electrician
2. Must be installed on a heavy duty structure capable of withstanding 3x weight of the unit
3. Use suitable mounting fixtures that will securely anchor the unit to your surface
4. 240V mains cable connection should be made with a suitable IP65 junction box
5. Phoebe LED recommends the use of a D-type circuit breaker for protection of this unit
6. Do not operate if product is damaged

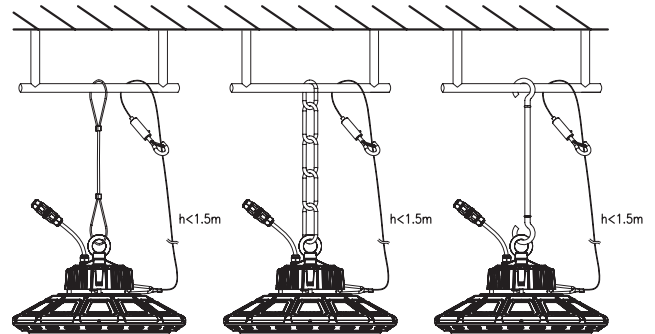


Product code	Power (W)	Beam Angle	Colour Temp (K)	Dimensions (mm)			Weight (kg)
				D	H	d	
7055	100	90°	4000	Ø320	189	25	2.78
7062	150	90°	4000	Ø383	217	25	4.2
7079	220	90°	4000	Ø383	217	30	5.4
7642	100	60°	4000	Ø320	189	25	2.78
7659	150	60°	4000	Ø383	217	25	4.2
7666	220	60°	4000	Ø383	217	30	5.4

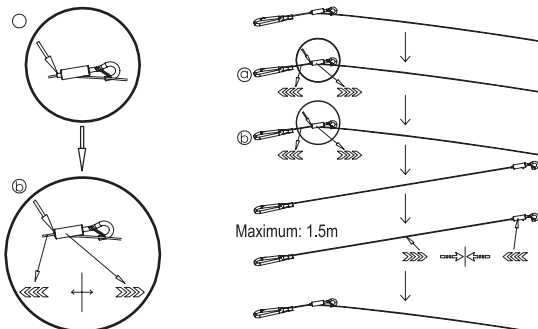
- 1** a. Switch off power
b. Attach Keto High Bay via mounting ring to mount surface using wire, chain, hook or other suitable method



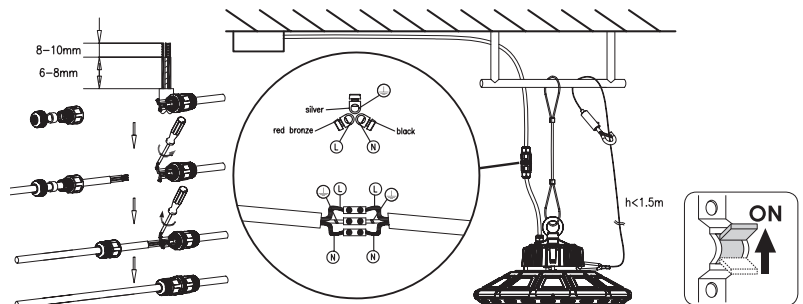
- 2** Attach safety line between Keto High Bay and mounting surface



- 3** Adjust safety line to suitable length (max 1.5m)



- 4** a. 240V mains cable connection should be made with a suitable IP65 junction box when using outdoors or damp environment
b. Unscrew connector and connect power lead to 240V mains electricity in accordance with current wiring regulations - Ensure that both sides of the IP65 connector are wired correctly (see diagrams)
c. Affix connector together to insure IP65 rating
d. Turn on power
Phoebe LED recommends the use of a D-type circuit breaker for protection of this unit



Images are for information only. Phoebe LED shall not be held liable for improper operation of the luminaire in circumstances where procedures and specifications have not been followed correctly. Crompton Lamps Limited 2017