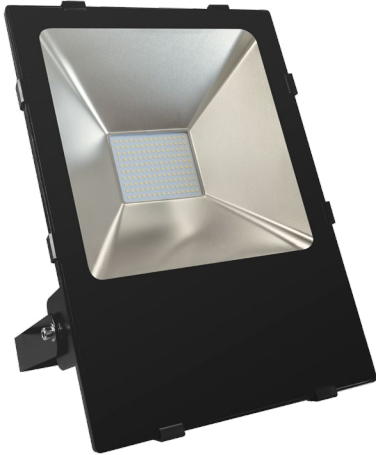


# Atlas 2 LED Commercial Floodlights

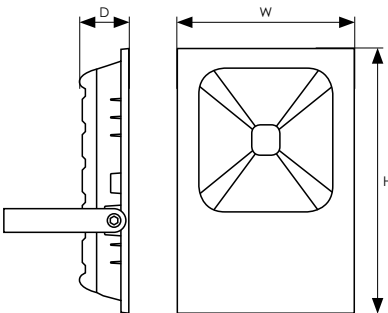


Mains operated IP65 Commercial LED Floodlights, ideal for illuminating large areas such as company car parks, industrial grounds or up-lighting buildings.

- Die-cast aluminium construction IK06 Rating
- Tempered glass lens IK04 Rating
- Black powder coating
- IP65 rated for indoor or outdoor use
- Adjustable bracket to 180°
- 110° Beam Angle
- Fitted with 1m VDE cable
- Ambient operating temperature -25°C to 50°C
- Instant full light

Product Code	Watts (W)	Volts (V)	Colour Temp (K)	Useful Lumens (lm)	Total Lumens (lm)	Beam Angle	Dimensions (mm)			Order Qty
							W	H	D	
<b>Single Carton</b>										
9134	100	240	4000	8300	9000	110°	255	280	90	1
9141	150	240	4000	11500	13000	110°	290	365	90	1
9158	200	240	4000	16200	18000	110°	350	435	100	1

Terminal block not included. Installation may require advice from a qualified person



This luminaire contains built-in LED lamps.

**LED**

The lamps cannot be changed in the luminaire.

**CROMPTON LAMPS** **874/2012**

**IP65**  
IP Rating

**IK06**  
Impact Rating

**5 YEAR**  
LIMITED WARRANTY

*Lighting brilliance since 1878*

Phoebe LED™ is a trading name of Crompton Lamps Limited  
 Crompton Lamps Limited registered in England and Wales No. 05590551  
 Registered office and correspondence address: Unit 2, Marrtree Business Park, Bowling Back Lane, Bradford BD4 8QE  
**Tel:** +44 (0)1274 657 088 **Fax:** +44 (0)1274 657 087 **Email:** sales@cromptonlamps.com **Web:** www.cromptonlamps.com

All images and specifications are for illustration purposes only and are subject to change without notice.  
 E. & O. E. © Crompton Lamps Limited 2019