



LED KETO



This instruction sheet is relevant to Phoebe Keto integrated LED high bay.

THANK YOU for buying this PHOEBE LED product. To help ensure this luminaire gives complete satisfaction please only use it according to the following instructions, and then pass the instructions to the appropriate person for retention and future reference.

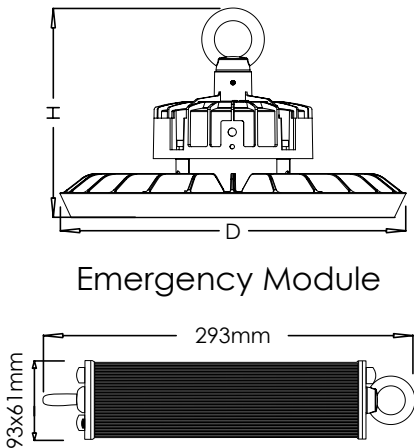
Warning

1. Installation only to be carried out by a qualified electrician
2. Must be installed on a heavy duty structure capable of withstanding 3x weight of the unit
3. Use suitable mounting fixtures that will securely anchor the unit to your surface
4. 240V mains cable connection should be made with a suitable IP65 junction box
5. Phoebe LED recommends the use of a D-type circuit breaker for protection of this unit
6. Do not operate if product is damaged



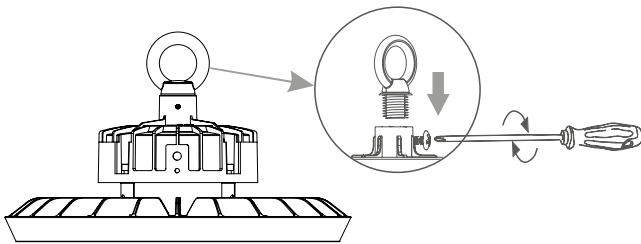
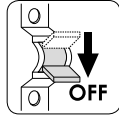
Environmental Protection

Waste electrical products should not be disposed of with household waste. Please recycle where facilities exist. Check with your Local Authority or retailer for recycling advice.

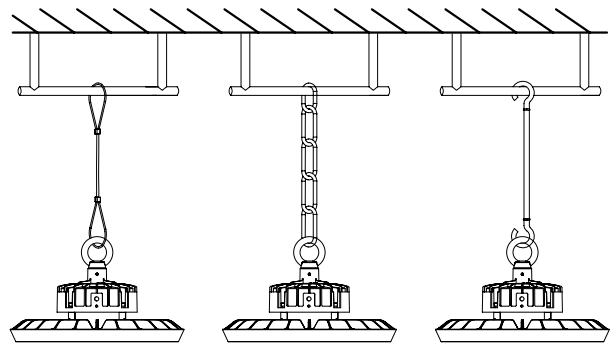


Standard code	Emergency code	Power (W)	Beam Angle	Colour Temp (K)	Dimensions (mm)		Weight (kg)
					D	H	
12431	15029	100	90°	4000	Ø275	166	2
12448	15036	150	90°	4000	Ø285	166	2.3
12455	15043	200	90°	4000	Ø305	183	3
12462	15050	100	60°	4000	Ø275	166	2
12479	15067	150	60°	4000	Ø285	166	2.3
12486	15074	200	60°	4000	Ø305	183	3

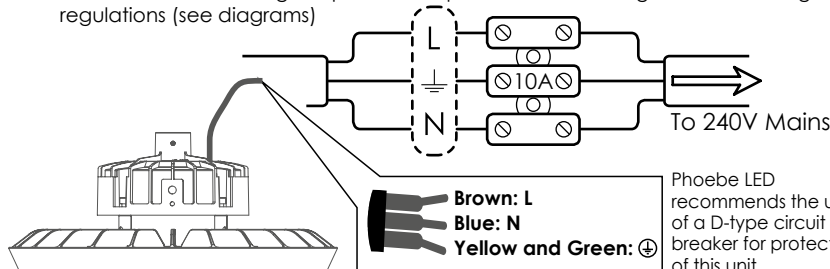
- 1 a. Switch off power
- b. Attach suspension loop and secure with security bolt



- 2 a. Attach Keto High Bay via mounting ring to mount surface using wire, chain, hook or other suitable method

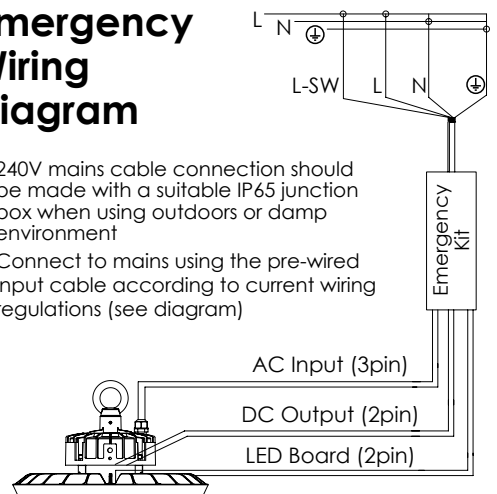


- 3 a. 240V mains cable connection should be made with a suitable IP65 junction box when using outdoors or damp environment
- b. Connect to mains using the pre-wired input cable according to current wiring regulations (see diagrams)

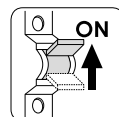
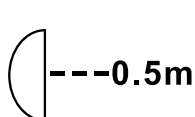


Emergency Wiring Diagram

- a. 240V mains cable connection should be made with a suitable IP65 junction box when using outdoors or damp environment
- b. Connect to mains using the pre-wired input cable according to current wiring regulations (see diagram)



- 4 a. Ensure minimum distance from luminaire to lighted objects
- b. Turn on power, Installation complete



Images are for information only. Phoebe LED shall not be held liable for improper operation of the luminaire in circumstances where procedures and specifications have not been followed correctly. Crompton Lamps Limited 2021.