

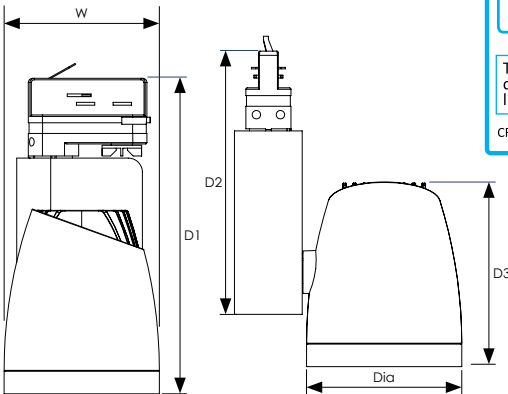
Ares LED Track Spot-Light



Energy efficient LED Track Spot-Light.

- Universal adapter for all 3-circuit track systems
- Circuit selection knob
- Constructed from tough polycarbonate and aluminium
- 360° horizontal and 180° vertical spot-light adjustment
- Faceted reflector to provide precise beam control
- Available in white or black finish
- Long life maintenance free operation with 40,000 hours
- Colour rendering index Ra≥80
- Instant full light
- IP20 rated for indoor use only
- Not suitable for dimming

Product Code	Watts (W)	Volts (V)	Colour Appearance	Colour Temp (K)	Useful Lumens (lm)	Total Lumens (lm)	Beam Angle	Dimensions (mm)					Order Qty
								Dia	W	D1	D2	D3	
Single Carton - Black Finish													
6676	12	240	Warm White	3000	845	910	30°	75	89	220	153	104	1
6683	12	240	Cool White	4000	900	955	30°	75	89	220	153	104	1
6713	35	240	Warm White	3000	2650	3000	24°	110	110	234	167	131	1
6720	35	240	Cool White	4000	2870	3300	24°	110	110	234	167	131	1
Single Carton - White Finish													
6690	12	240	Warm White	3000	845	910	30°	75	89	220	153	104	1
6706	12	240	Cool White	4000	900	955	30°	75	89	220	153	104	1
6737	35	240	Warm White	3000	2650	3000	24°	110	110	234	167	131	1
6744	35	240	Cool White	4000	2870	3300	24°	110	110	234	167	131	1



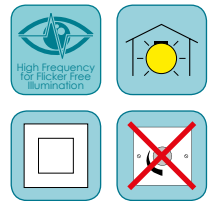
This luminaire contains built-in LED lamps.

The lamps cannot be changed in the luminaire.

CROMPTON LAMPS

LED

874/2012



Lighting brilliance since 1878

Phoebe LED™ is a trading name of Crompton Lamps Limited
 Crompton Lamps Limited registered in England and Wales No. 05590551
 Registered office and correspondence address: Unit 2, Marrtree Business Park, Bowling Back Lane, Bradford BD4 8QE
Tel: +44 (0)1274 657 088 **Fax:** +44 (0)1274 657 087 **Email:** sales@cromptonlamps.com **Web:** www.cromptonlamps.com

All images and specifications are for illustration purposes only and are subject to change without notice.
 E. & O. E. © Crompton Lamps Limited 2019