



FIRESAFE ECOLED DOWNLIGHT

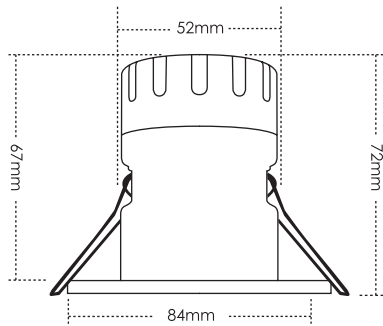


This instruction sheet is relevant to Phoebe LED Firesafe Downlight product codes: 11274, 11281

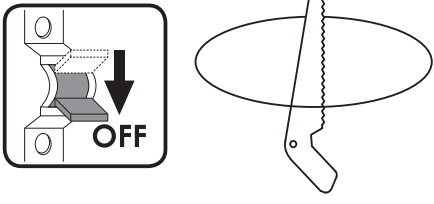
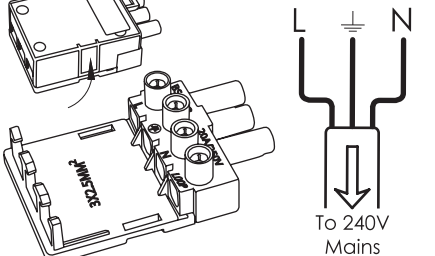
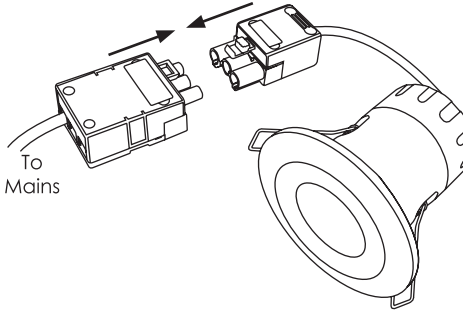
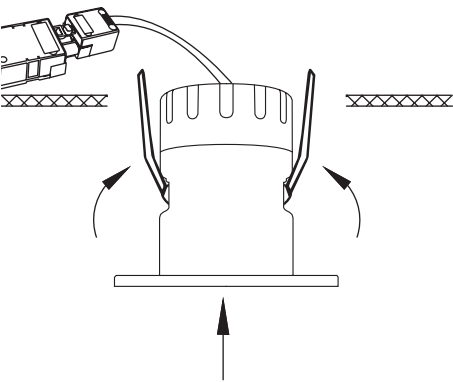
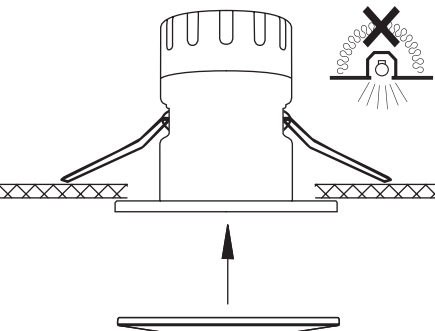

THANK YOU for buying this PHOEBE LED product. To help ensure this luminaire gives complete satisfaction please only use it according to the following instructions, and then pass the instructions to the appropriate person for retention and future reference.

Warning

1. Installation only to be carried out by a qualified electrician
2. Please ensure surface is suitable and capable of holding the luminaire and driver weight
3. Pre-cut hole before installation, (see below chart for hole diameter)
4. Do not operate if product is damaged
5. IP65 rated front, suitable for bathroom zones 1 & 2
6. This product is suitable for fire rated installations, Part L Compliant of UK Building Regulations, Part B Compliant BS476 Parts 21 and 22 – Suitable for 30 minute 600mm/15mm single layer Standard Wallboard, 60 minute 600mm/12.5mm twin layer Fireboard and 90 minute 450mm/15mm twin layer Fireboard ceilings



Product code	Power (W)	Useful Lumens (lm)	Colour Temp (K)	Cutout Ø
11274	6	520	3000	55-70mm
11281	6	540	4000	55-70mm

<p>1 a. Switch off power b. Prepare cut-out hole in your surface to specified dimensions as stated in above table.</p> 	<p>2 a. Depress the sides on the easy fit connector terminal block cover to remove it. b. Connect the block to mains 240V electricity in accordance with current wiring regulations. c. Replace cover.</p> 	<p>3 a. Push the luminaire and terminal block easy fit connectors together to form the circuit.</p> 
<p>4 a. Push back spring clips and insert luminaire into recess.</p> 	<p>5 a. Ensure luminaire is a flush fit and has plenty of ventilation, do not cover with insulating material. b. Optionally place one of the supplied magnetic fascias to complete installation.</p> 	<p>6 a. Switch power on at circuit</p>  <p>NB. For high voltage circuit insulation testing disconnect mains input supply first (Do not circuit test using a Megger)</p>

Images are for information only. Phoebe LED shall not be held liable for improper operation of the luminaire in circumstances where procedures and specifications have not been followed correctly. Crompton Lamps Limited 2018

Tel: +44 (0)1274 657 088 **Fax:** +44 (0)1274 657 087 **Web:** www.phoebeled.com