

User Guide

Melana CCT Outdoor Bulkhead

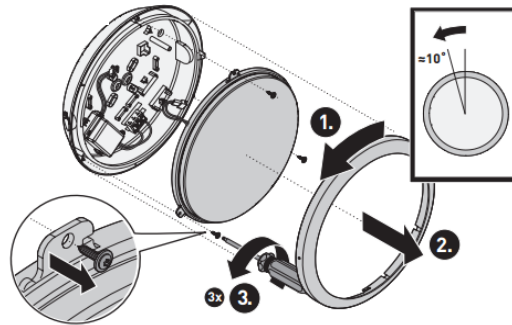


Images are for information only. Phoebe LED shall not be held liable for improper operation of the luminaire in circumstances where procedures and specifications have not been followed correctly. Crompton Lamps Limited 2020.

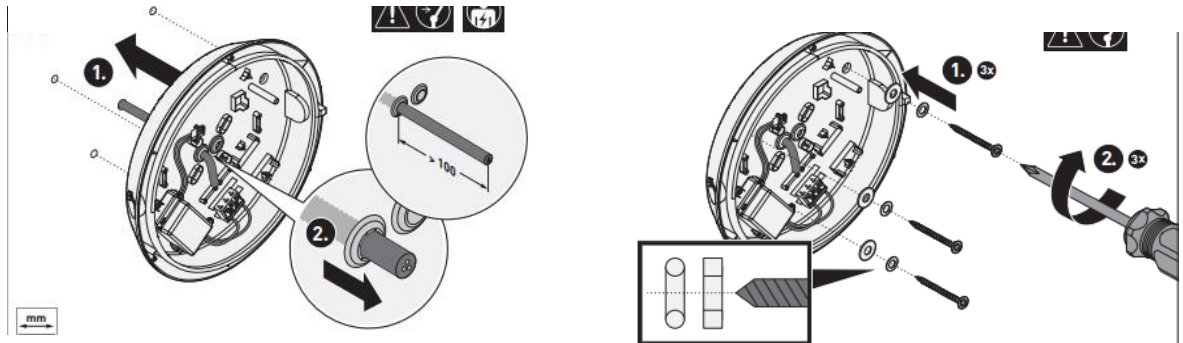
INSTALLATION

1、 Before Installation turn off the power at the mains circuit.

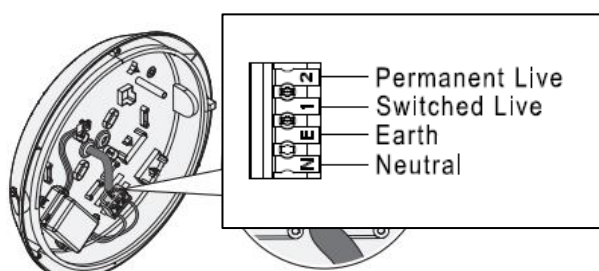
Remove trim from cover by twisting anticlockwise, then loosen the 3 screws from the diffuser and disconnect the power supply wires out of the fixture plate.



2、 Choose an entry point for the mains supply (side or rear) and knock out the 20mm entry point, use the supplied IP65 Gland to retain IP rating.

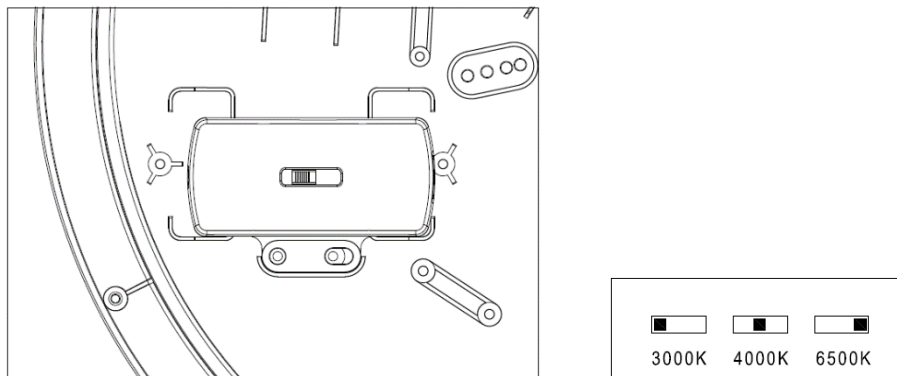


3、 Attach the fixing plate to your mounting surface and feed the mains power through the gland and connect the mains power in accordance with current wiring regulations. For emergency luminaires connect the battery connection cable and mark the battery with installation date. Permanent live is for emergency luminaires only.

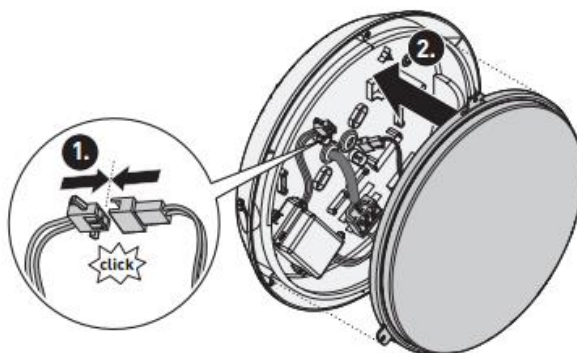


4、 CCT Selection:

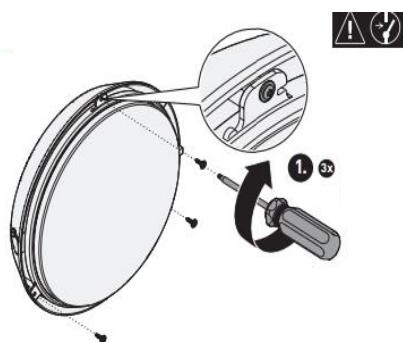
Slide the switch to choose between 3000K warm white, 4000K cool white and 6500K daylight colour options (see illustration below).



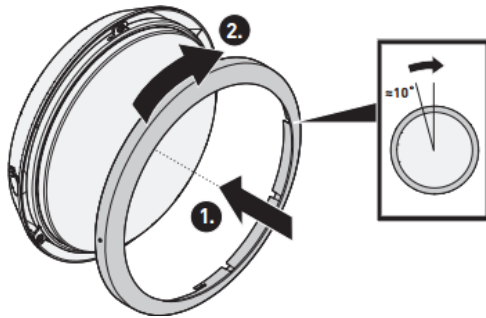
5、 Reconnect the driver to the light source PCB.



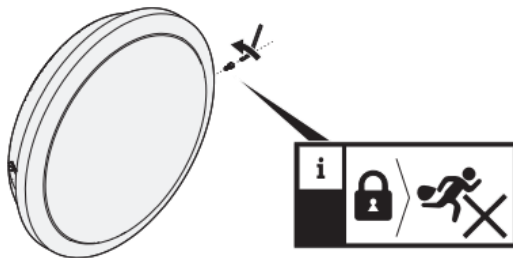
6、 Screw the diffuser into place.



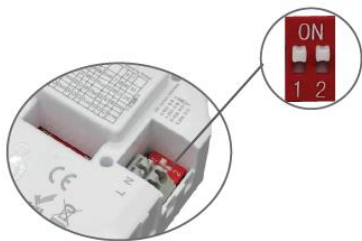
7、 Lock the trim onto diffuser by turning clockwise.



8、 Fix optional tamper resistant screws.



◆ Switchable wattage Function:



Output Current Setting

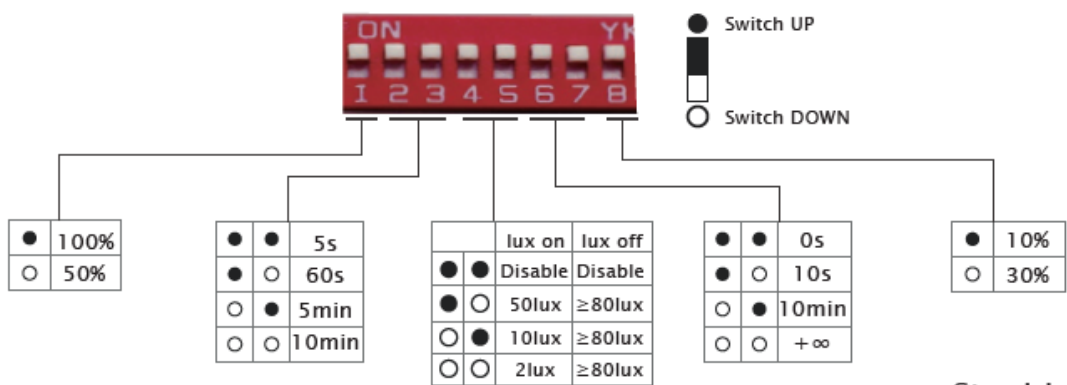
1	2			
○	●	0.35A	1500lm	15W
●	○	0.25A	1000lm	11W

● Switch UP
 ○ Switch DOWN

◆ Sensor Function luminaires:

● Setting

- | |
|----------------------------|
| (1) Detection area |
| (2,3) Hold-time |
| (4,5) Daylight threshold |
| (6,7) Stand-by period |
| (8) Stand-by dimming level |



Detection area

In this area, movement will be detected and able to trigger the sensor. 100% detection area is also known as the strong sensitivity.

Hold-time

The period of light keeping 100% brightness after moving objects leave the detection area.

Daylight threshold

Definition of the ambient brightness; only when the ambient brightness is lower than the preset specific lux amount, the sensor will work; when it's preset as "disable", the sensor works everytime it detects motion regardless the ambient brightness.

Stand-by period

The period of light keeping low output before it's completely switched off. When it's preset as "∞", the light always keep at low output if no movement in the detection area and doesn't turn off.

Stand-by dimming level

The definition of low output in the standby period.

● Application

1. Automatically ON/OFF function:

The Stand-by period is set to 0s.

The daylight threshold is set to 2lux,10lux,50lux.



With sufficient daylight, even when motion detected, light remains OFF.



With insufficient daylight, when motion detected, light ON.



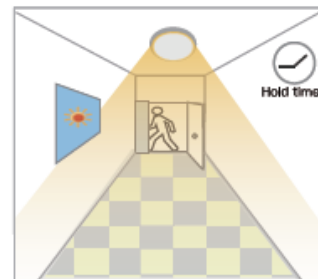
After the last detection and the present hold time elapsed, light OFF.

2. No daylight function

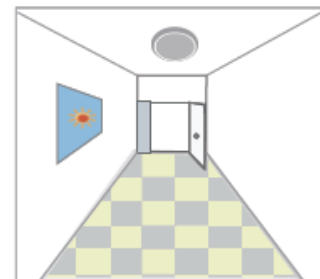
The daylight threshold is set to "Disable".



When motion is detected, the sensor will switch on the light to 100% brightness.



After people leave the detection area, light remains 100% brightness within hold time.



After the last detection and the present hold time elapsed, light OFF.

3. Function Demo - Dimmable control/Corridor function

The Stand-by period is set to 10s, 10min.

The daylight threshold is set to 2lux,10lux,50lux.



With sufficient daylight, even when motion detected, light remains OFF.



With insufficient daylight, when motion detected, light ON.



After last detection, the light will be dimmed down to the stand-by dimming level (10% or 30%) after holdtime.



After the stand-by period, light OFF.

◆ Emergency Function luminaires:

- Ensure to attach the battery connection cable.
- Mark the battery with the installation date.
- Allow 24 hours initial charge time.
- Emergency function time 3 hours.
- Batteries must be replaced when they can no longer support 3 hour operation.