



This instruction sheet is relevant to Phoebe LED Manto Integrated 2 part codes: 11021, 11052, 11083, 11113

THANK YOU for buying this PHOEBE LED product. To help ensure this luminaire gives complete satisfaction please only use it according to the following instructions, and then pass the instructions to the appropriate person for retention and future reference.

Warning

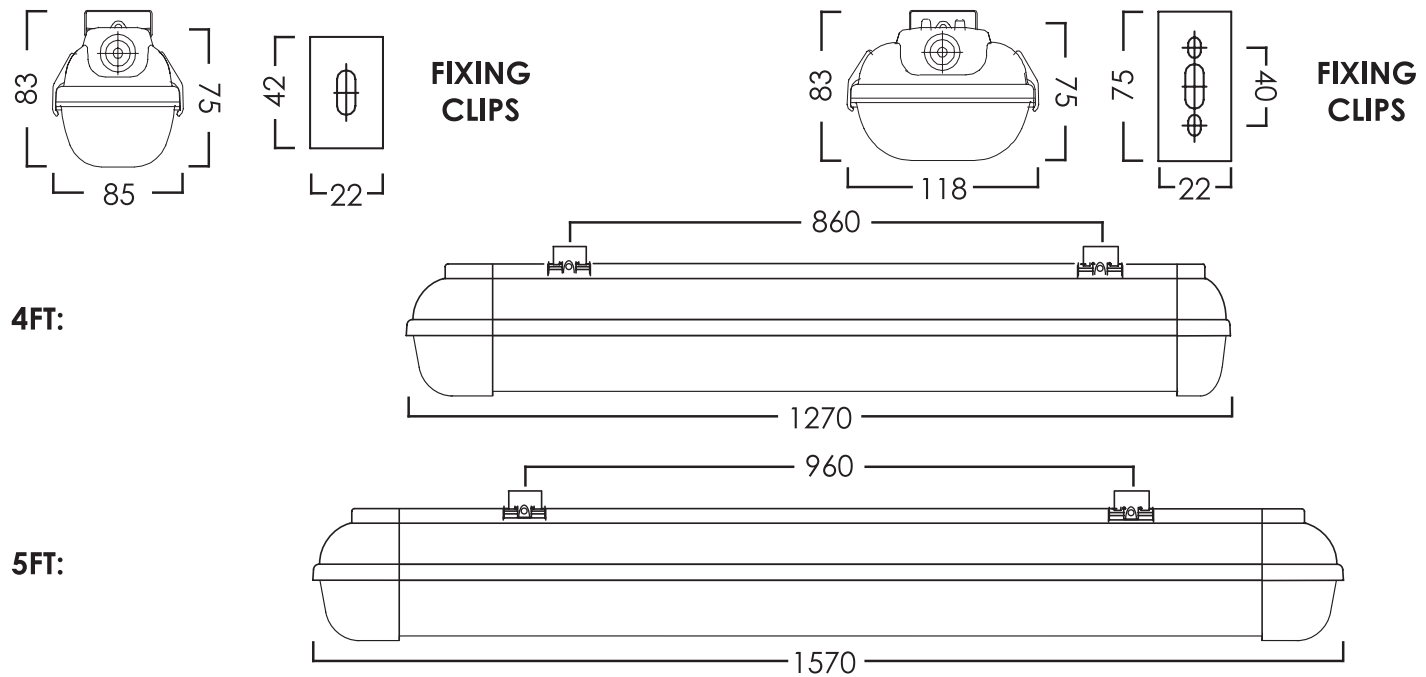
1. Installation only to be carried out by a qualified electrician
2. Please ensure surface is suitable and capable of holding the luminaire weight
3. Do not operate if product is damaged
4. Suitable for use outdoors IP65 rating
5. This product is not suitable for fire rated installations



Specifications:

Code	Length	Width	Wattage	Voltage	Power Factor	IP Rating	IK Rating	Total Lumens	Ambient Operating Temperature	Beam Angle	Insulation	Weight
11021	4ft/1270mm	85mm	20W		>0.9			2000lm				1.435 KG
11052	4ft/1270mm	118mm	40W	240V	>0.9			4000lm	-20°C to 40°C	120°	Class I	1.795 KG
11083	5ft/1570mm	85mm	30W	50/60Hz	>0.9	IP65	IK07	3000lm				1.708 KG
11113	5ft/1570mm	118mm	60W		>0.9			6000lm				2.338 KG
Microwave Sensor Models												
11038	4ft/1270mm	118mm	20W		>0.9			2000lm				1.745 KG
11069	4ft/1270mm	118mm	40W	240V	>0.9			4000lm	-20°C to 40°C	120°	Class I	1.825 KG
11090	5ft/1570mm	118mm	30W	50/60Hz	>0.9	IP65	IK07	3000lm				2.258 KG
11120	5ft/1570mm	118mm	60W		>0.9			6000lm				2.368 KG
3 Hour Emergency Models												
11045	4ft/1270mm	85mm	20W		>0.9			2000lm				1.765 KG
11076	4ft/1270mm	118mm	40W	240V	>0.9			4000lm	-20°C to 40°C	120°	Class I	2.135 KG
11106	5ft/1570mm	85mm	30W	50/60Hz	>0.9	IP65	IK07	3000lm				2.018 KG
11137	5ft/1570mm	118mm	60W		>0.9			6000lm				2.678 KG

Dimensions

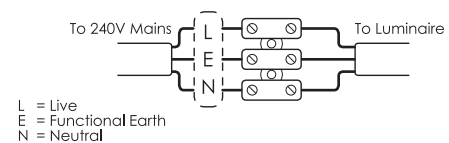


Please review full fitting instructions on next page before connecting to mains.

Connect to mains in accordance with current wiring regulations.

Note: the luminaire is wired internally with 2 terminal blocks for ease of contiguous loop-in/loop-out installations.

Standard and Microwave Sensor Luminaire Circuit Diagram



Images and diagrams are for information only. Phoebe LED shall not be held liable for improper operation of the luminaire in circumstances where procedures and specifications have not been followed correctly.

Tel: +44 (0)1274 657 088 **Fax:** +44 (0)1274 657 087 **Web:** www.cromptonlamps.com.com

