



LED GU10 GLASS SMD

Dimmable and non-dimmable

Energy efficient LED GU10 lamp with glass body with upto 91% Energy saving over traditional halogen GU10 lamps. Suitable for fire rated downlights.

- 15,000 hour life
- 10,000 switching cycles
- 2700K warm white or 4000K cool white colour options
- Colour rendering index Ra \geq 80
- GU10 cap
- Suitable for fire rated downlights
- Dimmable or non-dimmable options
- Dimmable option utilizes DuoDim™ Technology compatible with both leading and trailing edge dimmers*
- Recommended for indoor use only



Constructed from a full glass body to mimic the shape and size of a halogen GU10 lamp. Features the very latest energy efficient LED SMD (surface mounted) technology

* The lamp is compatible with most dimmer switches, please refer to website for up-to-date list of compatible dimmer switches.

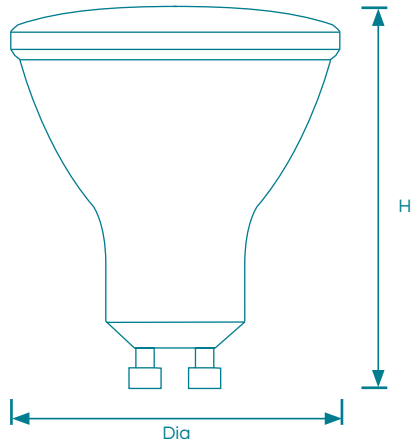


Technical Information

LED GU10 GLASS SMD

Dimmable and non-dimmable

- 15,000 hour life
- 10,000 switching cycles
- 2700K warm white or 4000K cool white colour options
- Colour rendering index Ra \geq 80
- GU10 cap
- Suitable for fire rated downlights
- Dimmable or non-dimmable options
- Dimmable option utilizes DuoDim™ Technology compatible with both leading and trailing edge dimmers*
- Recommended for indoor use only



4W Annual running cost = £1.47

4.5W Annual running cost = £1.65

*Above figures are based on annual usage 7hrs/day @ £0.1437kWhr



LED GU10 GLASS SMD

Product Code	Watts (W)	Volts (V)	Cap	Colour Appearance	Colour Temp (K)	Useful Lumens (lm)	Total Lumens (lm)	Beam Angle	Halogen Equivalent (W)	Dimensions (mm) Dia H	Energy Rating	Order Qty
Dimmable												
6102	4	240	GU10	Warm White	3000	330	360	35°	50	50 56	F	1
6119	4	240	GU10	Cool White	4000	390	420	35°	50	50 56	F	1
Non-dimmable												
4870	4.5	240	GU10	Warm White	3000	340	380	35°	50	50 56	F	1
4887	4.5	240	GU10	Cool White	4000	360	400	35°	50	50 56	F	1

* The lamp is compatible with most dimmer switches, please refer to website for up-to-date list of compatible dimmer switches.

Crompton Lamps Limited registered in England and Wales No: 05590551

Crompton Lamps Limited
Unit 2
Marrtree Business Park
Bowling Back Lane
Bradford
BD4 8QE

Tel: 01274 657 088
Fax: 01274 657 087
Email: sales@cromptonlamps.com



www.cromptonlamps.com



Design and production by Marketing,
Crompton Lamps Limited
E. & O. E. © Crompton Lamps Limited 2023.
All rights reserved.