

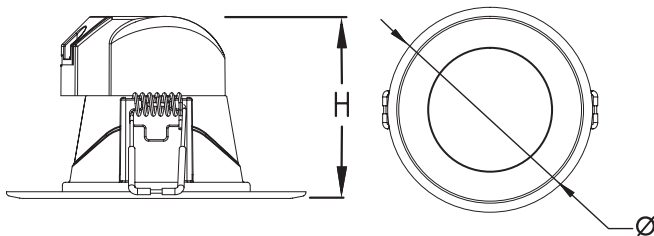



This instruction sheet is relevant to Phoebe LED Corinth Integrated Downlight part codes: 6515, 6539, 6553, 6577, 6522, 6546, 6560 & 6584

THANK YOU for buying this PHOEBE LED product. To help ensure this luminaire gives complete satisfaction please only use it according to the following instructions, and then pass the instructions to the appropriate person for retention and future reference.

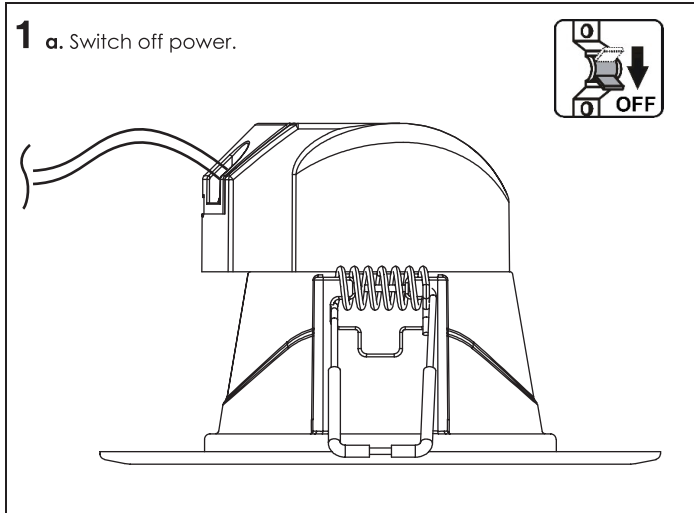
Warning

1. Installation only to be carried out by a qualified electrician
2. Please ensure surface is suitable and capable of holding the lamp weight
3. Pre-cut hole before installation, (see below chart for hole diameter)
4. Do not operate if product is damaged
5. This product is not suitable for fire rated installations

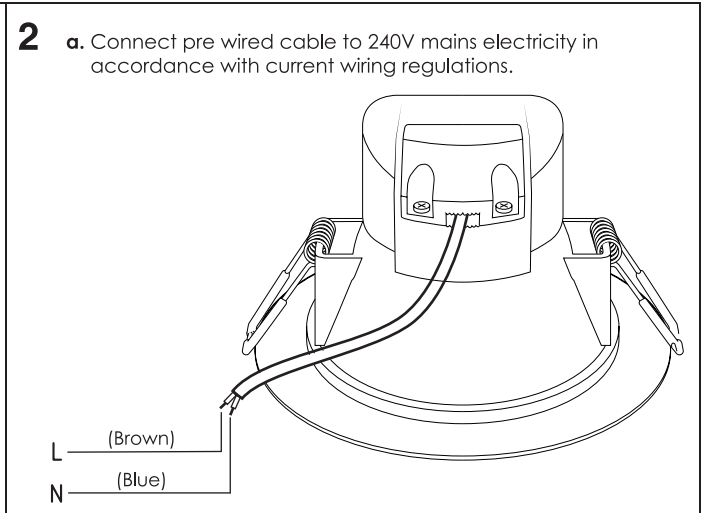


Product codes	Power (W)	Dimensions (mm)		
		Ø	H	
6515/6522	5	Ø102	62	Ø75-85
6539/6546	10	Ø120	72	Ø95-105
6553/6560	14	Ø140	77	Ø110-120
6577/6584	20	Ø190	77	Ø160-170

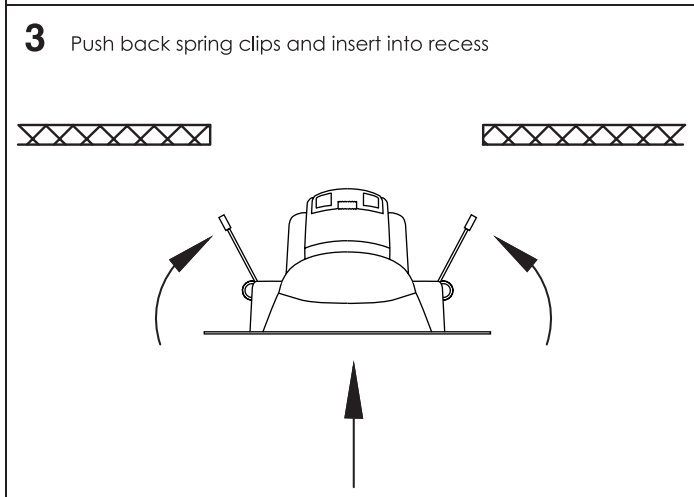
1 a. Switch off power.



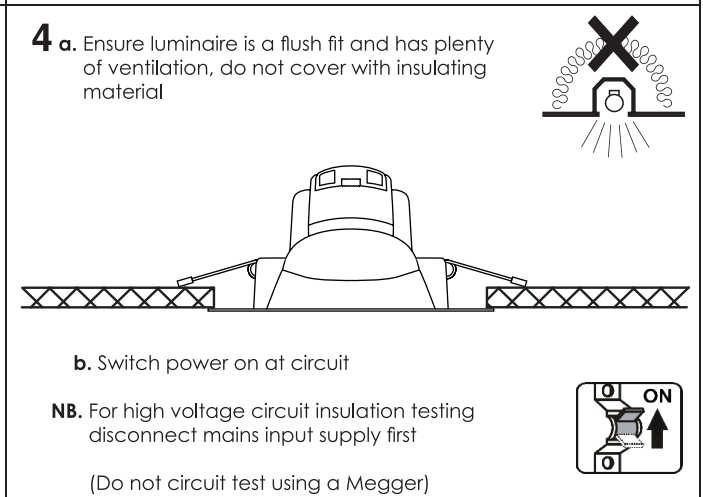
2 a. Connect pre wired cable to 240V mains electricity in accordance with current wiring regulations.



3 Push back spring clips and insert into recess




4 a. Ensure luminaire is a flush fit and has plenty of ventilation, do not cover with insulating material



b. Switch power on at circuit

NB. For high voltage circuit insulation testing disconnect mains input supply first

(Do not circuit test using a Megger)



Images are for information only. Phoebe LED shall not be held liable for improper operation of the luminaire in circumstances where procedures and specifications have not been followed correctly. Crompton Lamps Limited 2017