

# 17054



## 9W Orphica Slim Circular CCT Downlight

- CCT switchable 3000K/4000K/6500K
- Ultra-slim profile (Height 20mm)
- TP(a) rated diffuse
- IP44 rated
- 5-year warranty (2-year on-site warranty)
- Compatible with our Emergency drivers 1689 & 16996



## Technical Specifications

### General

Part Code:	17054
Product Name:	9W Orphica Slim Circular CCT Downlight
Nominal Voltage:	220-240V
Nominal Wattage:	9W
Nominal Luminous Flux:	900lm
Nominal Beam Angle:	120°
Nominal Life:	50,000hrs
Dimmable:	Non-Dim
Energy Saving:	Yes

### Electrometry

Rated Wattage (0.1W Precision):	9.0W
Voltage:	220-240V AC
Operating Frequency:	50/60Hz
Power Factor $\lambda$ :	0.95
Operating Current:	160mA
Inrush Current:	1300mA
Weighted Energy Consumption:	9 kwh/1000h

## Photometry

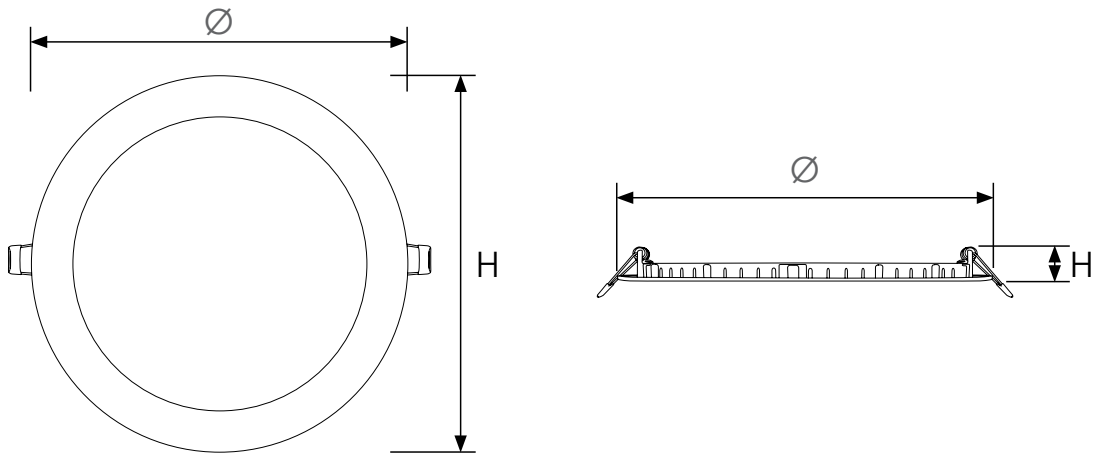
Rated Beam Angle:	120°
Rated Total Luminous Flux:	900lm
Colour Temperature:	3000K/4000K/6500K
Colour Name:	Selectable CCT
Colour Rendering Index:	≥ 80
Colour Consistency SDCM:	≤ 6
DUV:	± 0.0006
Starting Time:	Instant full light
Warm Up Time (to 60% Light Output):	<0.5 seconds
Efficiency:	100lm/watt

## Life Span

Rated Life:	50,000hrs
Warranty:	5years (2 years on-site*)

## Dimensions

Diameter Ø:	150mm
Height H:	20mm
Cutout Ø:	140mm
Product Weight:	0.19KG



## Mechanical

Housing Material:	TP(a) rated diffuser
Ingress Protection Code:	IP44
Impact Protection Rating:	IK06
Appliance Class:	II
Mercury (Hg) Content:	0mg
Ambient Operating Temperature:	-25°C ~ 50°C

# Mounting Options

Recessed: ✓

## Optional Plug & Play Modules

16934 Plug & Play Emergency Driver - Manual Test  
17009 Plug & Play Emergency Driver - Self Test

## Packaging

EAN13 Barcode:	5055579317054
Single Carton Length:	18.50mm
Single Carton Width:	16.00mm
Single Carton Height:	3.50mm
Single Carton Volume:	1036.00cm <sup>3</sup>
Single Carton Weight:	0.24KG
Outer Carton GS1-128 Barcode:	02050555793169103724
Outer Carton Quantity:	24
Outer Carton Length:	19.00cm
Outer Carton Width:	56.00cm
Outer Carton Height:	39.00cm
Outer Carton Volume:	41496.00cm <sup>3</sup>
Outer Carton Weight:	6.16KG

## Standards and Approvals

Manufactured in accordance to:	BS EN 60598-2-1:2021
CE Mark:	Yes
UKCA Mark:	Yes
Date of manufacture coded:	Yes
Country of manufacture	China
WEEE recycling verification	Yes
Certificate of conformity	Available on request
Accredited Members	LIA

