

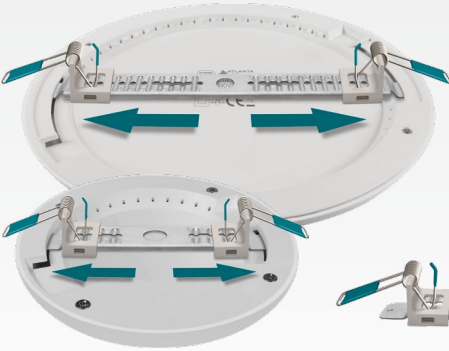


PHOEBE LED ATLANTA DOWNLIGHT

Features Universal Adjustable Bracket for Multiple Cut-Out Sizes

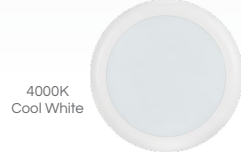
The versatile Atlanta LED Integrated Downlight features a unique universal multi-fit bracket that can be adjusted to fit any existing recess. It includes a high quality on-board driver for flicker-free light output.

- Multi-fit adjustable bracket
- Dimmable or non-dimmable
- Recessed or surface mountable
- Flicker-free with slim-line design
- 3000K and 4000K colour options
- Available in 6.5W and 18.5W



18.5W bracket adjusts from 65mm/2.5" to 205mm/8"
6.5W bracket adjusts from 65mm/2.5" to 102mm/4"

Dimmable options feature DuoDim Technology



Compact design with a height of just 15mm (Height excludes mounting clips)

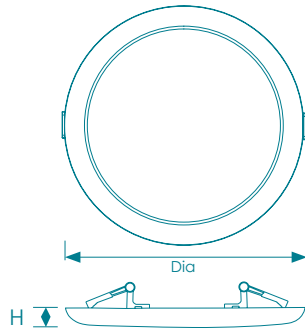


Technical Information

6.5W and 18.5W Universal Fit Slim-line LED Downlight



- 30,000 hour life
- 50,000 switching cycles
- 120° beam angle
- 3000K and 4000K colour options
- Complies with Building Regulations B2
- IP20 rating
- Dimmable or non-dimmable (18.5W only)
- For indoor use only
- Instant full light
- 5 year warranty

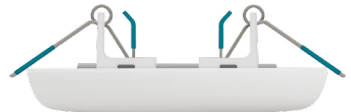
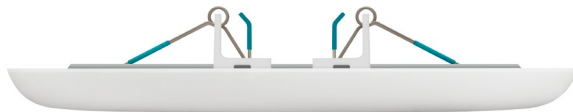
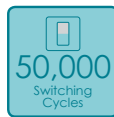


Product Code	Watts (W)	Volts (V)	Colour Appearance	Colour Temp (K)	Total Lumens (lm)	Beam Angle	Dimensions (mm)			Order Qty
							Dia	H	Cutout ø	
Non-Dimmable - Single Carton										
10536	18.5	240	Warm White	3000	1550	120°	230	15	63.5-203	1
10543	18.5	240	Cool White	4000	1600	120°	230	15	63.5-203	1
Dimmable - Single Carton										
12172	6.5	240	Warm White	3000	440	120°	120	15	63.5-102	1
12189	6.5	240	Cool White	4000	460	120°	120	15	63.5-102	1
12196	18.5	240	Warm White	3000	1550	120°	230	15	63.5-203	1
12202	18.5	240	Cool White	4000	1600	120°	230	15	63.5-203	1

6.5W Annual running cost = £2.39

18.5W Annual running cost = £6.79

*Above figures are based on annual usage 7hrs/day @ £0.1437kWhr



Crompton Lamps Limited registered in England and Wales No: 05590551

Crompton Lamps Limited
Unit 2
Marrtree Business Park
Bowling Back Lane
Bradford
BD4 8QE

Tel: 01274 657 088
Fax: 01274 657 087
Email: sales@cromptonlamps.com



Design and production by Marketing,
Crompton Lamps Limited
E. & O. E. © Crompton Lamps Limited 2019.
All rights reserved.

www.cromptonlamps.com

