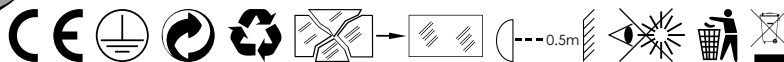




LED ATLAS COMMERCIAL FLOODLIGHT



This instruction sheet is relevant to Phoebe LED Floodlights with part codes: 12103, 12110, 12127

THANK YOU for buying this PHOEBE LED product. To help ensure this luminaire gives complete satisfaction please only use it according to the following instructions, and then pass the instructions to the appropriate person for retention and future reference.

Warning

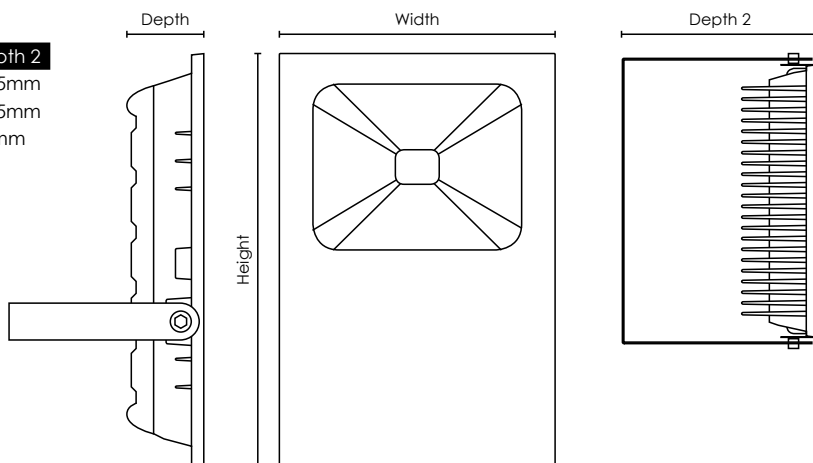
1. Installation only to be carried out by a qualified electrician
2. Must be installed on a heavy duty structure capable of withstanding 3x weight of the unit
3. Use suitable mounting fixtures that will securely anchor the unit to your surface
4. 240V mains cable connection should be made with a suitable IP65 junction box
5. Phoebe LED recommends the use of a D-type circuit breaker for protection of this unit
6. Minimum distance of 0.5m is required between light source and lighted object
7. Do not operate if product is damaged

Specifications

Part Code	Wattage	Voltage	Power Factor	IP Rating	Weight	Total Lumens	Cable	Insulation	Ambient Operating Temp
12103	100W	220-240V	>0.9	IP65	3.4kg	9000lm	TRS 1m	Class I	-20°C to 45°C
12110	150W	AC 50/60Hz			4.1kg	13000lm			
12127	200W				5kg	18000lm			

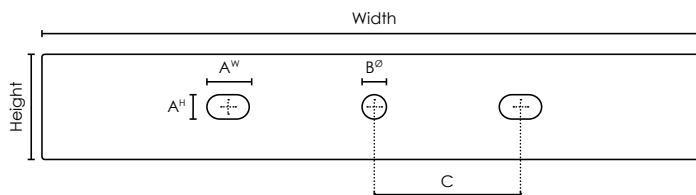
Dimensions

Part Code	Wattage	Width	Height	Depth	Depth 2
12103	100W	257mm	340mm	59mm	209.5mm
12110	150W	280mm	374mm	63mm	229.5mm
12127	200W	299mm	414mm	69mm	255mm



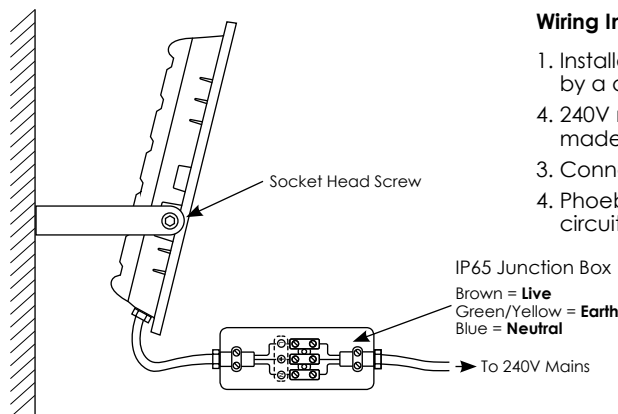
Mounting Bracket

Part Code	Wattage	Width	Height	A ^w	A ^h	B ^o	C
12103	100W	236mm	30mm	14mm	10.5mm	10.5mm	80mm
12110	150W	259mm	30mm	14mm	10.5mm	10.5mm	80mm
12127	200W	285mm	30mm	14mm	10.5mm	10.5mm	80mm



Angle Adjustment

1. Loosen socket head screw and adjust unit to desired angle
2. Tighten socket head screw to prevent unit from moving



Wiring Instructions

1. Installation only to be carried out by a qualified electrician
4. 240V mains cable connection should be made with a suitable IP65 junction box
3. Connect power lead to 240V mains electricity
4. Phoebe LED recommends the use of a D-type circuit breaker for protection of this unit



Environmental Protection

Waste electrical products should not be disposed of with household waste. Please recycle where facilities exist. Check with your Local Authority or retailer for recycling advice.

Images are for information only. Phoebe LED shall not be held liable for improper operation of the luminaire in circumstances where procedures and specifications have not been followed correctly.

Tel: +44 (0) 1274 657 088 **Fax:** +44 (0) 1274 657 087 **Web:** www.phoebeled.com