



This instruction sheet is relevant to Phoebe LED Manto Integrated 2 with 3 Hour Emergency function part codes: 11045, 11076, 11106, 11137

THANK YOU for buying this PHOEBE LED product. To help ensure this luminaire gives complete satisfaction please only use it according to the following instructions, and then pass the instructions to the appropriate person for retention and future reference.

Warning

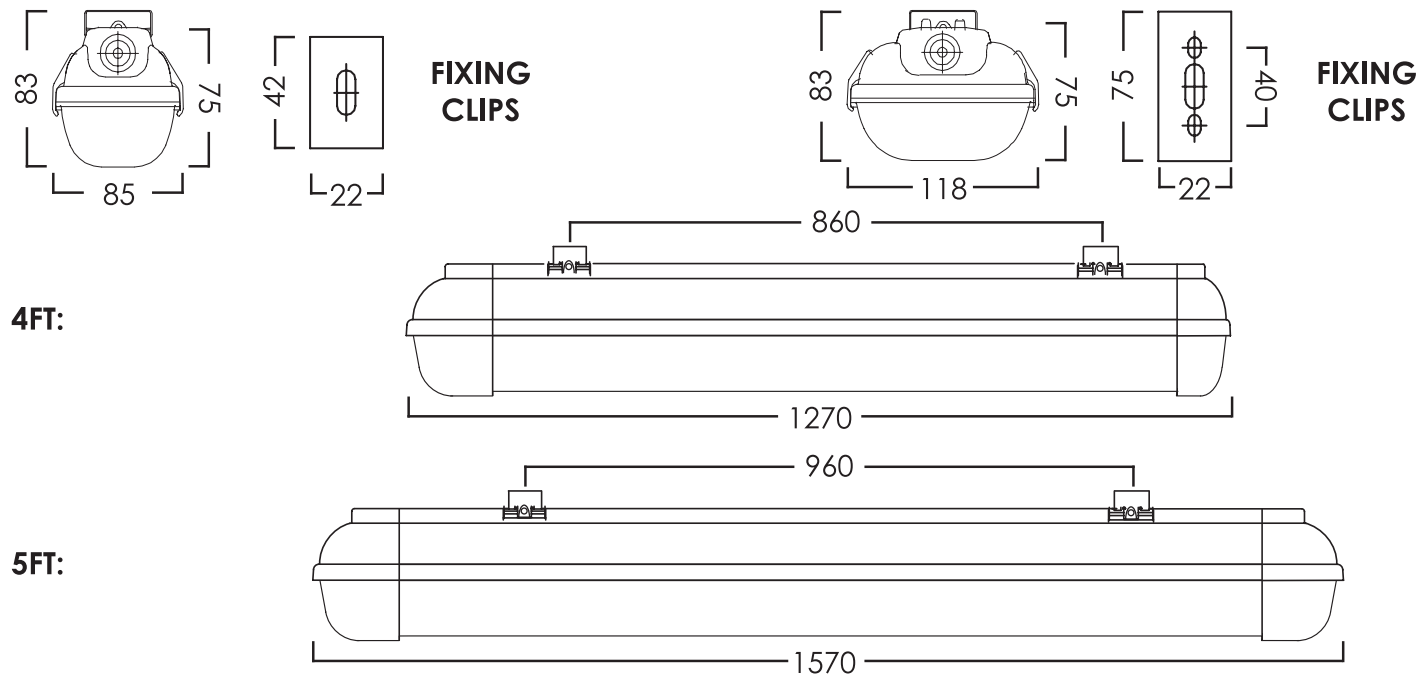
1. Installation only to be carried out by a qualified electrician
2. Please ensure surface is suitable and capable of holding the luminaire weight
3. Do not operate if product is damaged
4. Suitable for use outdoors IP65 rating
5. This product is not suitable for fire rated installations



Specifications:

| Code | Length | Width | Wattage | Voltage | Power Factor | IP Rating | IK Rating | Total Lumens | Ambient Operating Temperature | Beam Angle | Insulation | Weight |
|--------------------------------|------------|-------|---------|---------|--------------|-----------|-----------|--------------|-------------------------------|------------|------------|----------|
| 11021 | 4ft/1270mm | 85mm | 20W | | >0.9 | | | 2000lm | | | | 1.435 KG |
| 11052 | 4ft/1270mm | 118mm | 40W | 240V | >0.9 | | | 4000lm | -20°C to 40°C | 120° | Class I | 1.795 KG |
| 11083 | 5ft/1570mm | 85mm | 30W | 50/60Hz | >0.9 | IP65 | IK07 | 3000lm | | | | 1.708 KG |
| 11113 | 5ft/1570mm | 118mm | 60W | | >0.9 | | | 6000lm | | | | 2.338 KG |
| Microwave Sensor Models | | | | | | | | | | | | |
| 11038 | 4ft/1270mm | 118mm | 20W | | >0.9 | | | 2000lm | | | | 1.745 KG |
| 11069 | 4ft/1270mm | 118mm | 40W | 240V | >0.9 | | | 4000lm | -20°C to 40°C | 120° | Class I | 1.825 KG |
| 11090 | 5ft/1570mm | 118mm | 30W | 50/60Hz | >0.9 | IP65 | IK07 | 3000lm | | | | 2.258 KG |
| 11120 | 5ft/1570mm | 118mm | 60W | | >0.9 | | | 6000lm | | | | 2.368 KG |
| 3 Hour Emergency Models | | | | | | | | | | | | |
| 11045 | 4ft/1270mm | 85mm | 20W | | >0.9 | | | 2000lm | | | | 1.765 KG |
| 11076 | 4ft/1270mm | 118mm | 40W | 240V | >0.9 | | | 4000lm | -20°C to 40°C | 120° | Class I | 2.135 KG |
| 11106 | 5ft/1570mm | 85mm | 30W | 50/60Hz | >0.9 | IP65 | IK07 | 3000lm | | | | 2.018 KG |
| 11137 | 5ft/1570mm | 118mm | 60W | | >0.9 | | | 6000lm | | | | 2.678 KG |

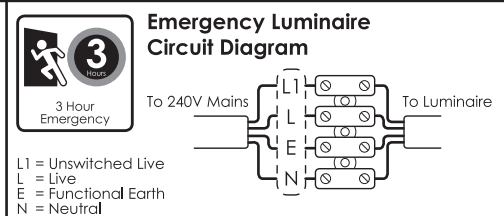
Dimensions



Please review full fitting instructions on next page before connecting to mains.

Connect to mains in accordance with current wiring regulations.

Note: the luminaire is wired internally with 2 terminal blocks for ease of contiguous loop-in/loop-out installations.



Images and diagrams are for information only. Phoebe LED shall not be held liable for improper operation of the luminaire in circumstances where procedures and specifications have not been followed correctly.

Tel: +44 (0)1274 657 088 **Fax:** +44 (0)1274 657 087 **Web:** www.cromptonlamps.com.com